

model no / **CH 100**



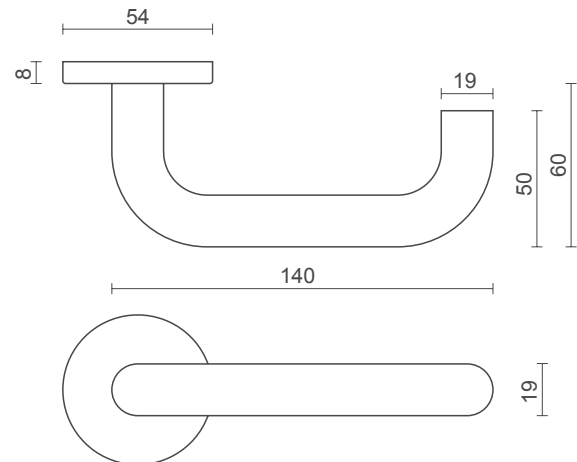
- **Available on:** Sprung or 4mm Unsprung Rose
- **Finishes:** SSS: Satin Stainless Steel
PSS: Polished Stainless Steel
PAA: Polished Anodised Aluminium
PB: Polished Brass

■ **Series with CH100, CH199**

Section: Pull Handle

Model name: CPHS / CPHH

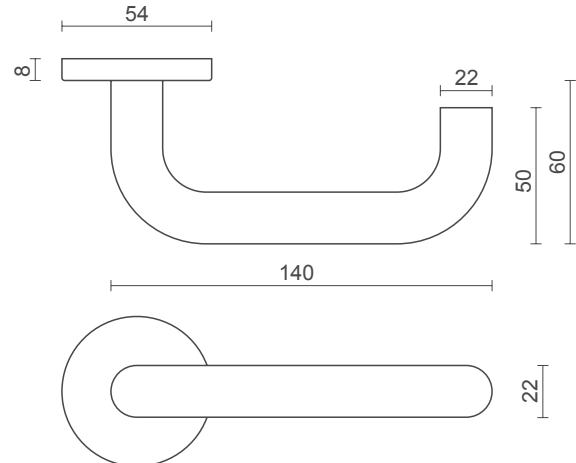
Description: Standard 'D' Handle



model no / **CH 199**



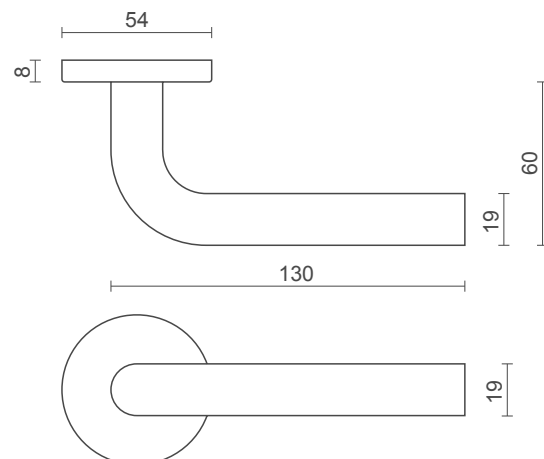
- **Available on:** Sprung Rose
- **Finishes:** SSS: Satin Stainless Steel
PSS: Polished Stainless Steel
PAA: Polished Anodised Aluminium



model no / **CH 299**



- **Available on:** Sprung or 4mm Unsprung Rose
- **Finishes:** SSS: Satin Stainless Steel
PSS: Polished Stainless Steel



model no / **CH 399**



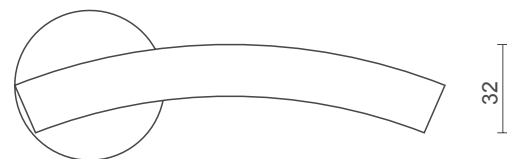
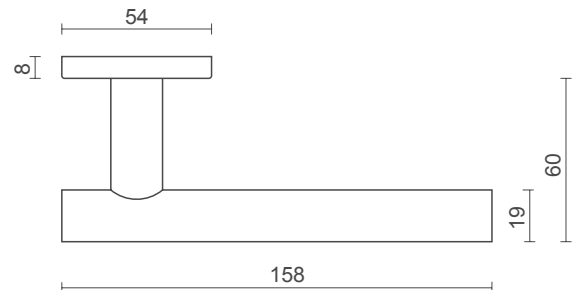
- **Available on:** Sprung or 4mm Unsprung Rose
- **Finishes:** SSS: Satin Stainless Steel
PSS: Polished Stainless Steel

▪ **Series with CH399**

Section: Pull Handle

Model name: CHEP10-15

Description: Crescent Pull Handle



model no / **CH 499**



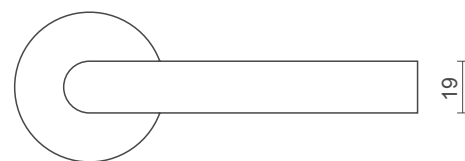
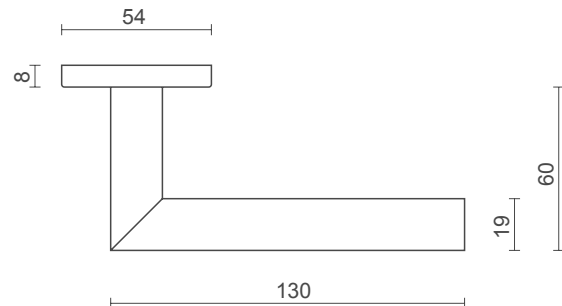
- **Available on:** Sprung or 4mm Unsprung Rose
- **Finishes:** SSS: Satin Stainless Steel
PSS: Polished Stainless Steel

▪ **Series with CH 499**

Section: Pull Handle

Model name: CHEP 41-45

Description: Mitred Pull Handle



model no / **CH 599**



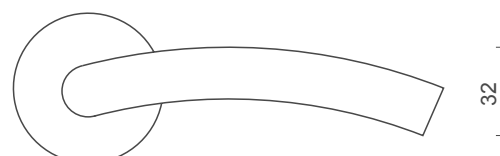
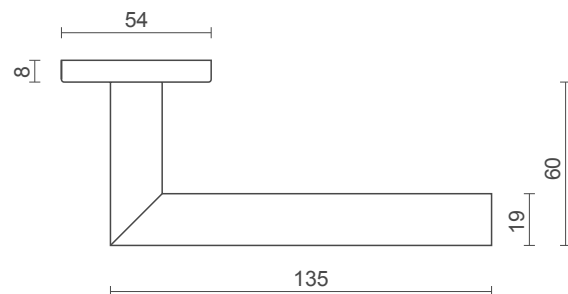
- **Available on:** Sprung or 4mm Unsprung Rose
- **Finishes:** SSS: Satin Stainless Steel
PSS: Polished Stainless Steel

▪ **Series with CH 599**

Section: Pull Handle

Model name: CHEP 10-15

Description: Crescent Pull Handle



model no / **CH 599R**



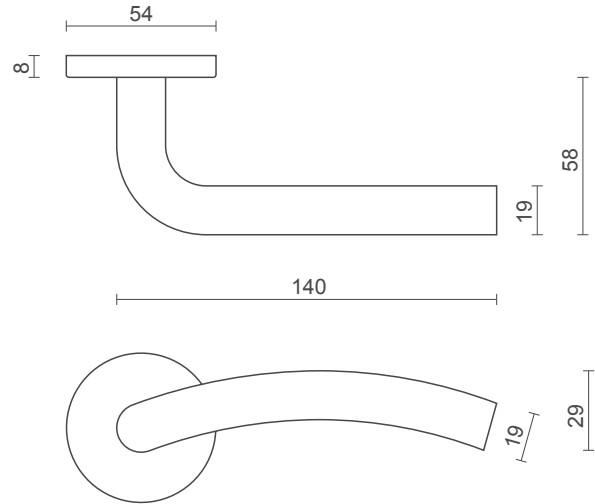
- **Available on:** Sprung or 4mm Unsprung Rose
- **Finishes:** SSS: Satin Stainless Steel
PSS: Polished Stainless Steel

▪ **Series with CH 599R**

Section: Pull Handle

Model name: CHEP 10-15

Description: Crescent Pull Handle



model no / **CH 699**



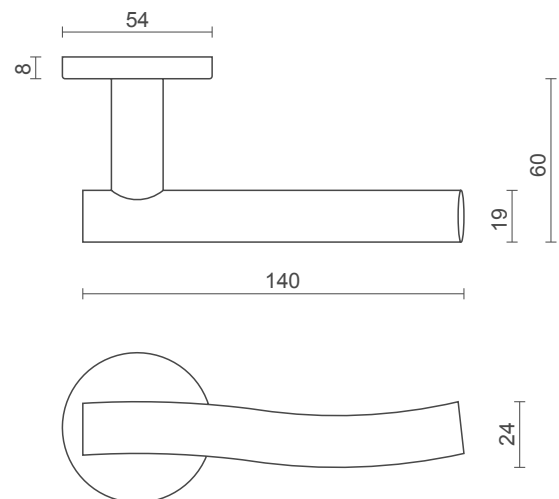
- **Available on:** Sprung or 4mm Unsprung Rose
- **Finishes:** SSS: Satin Stainless Steel
PSS: Polished Stainless Steel

▪ **Series with CH 699**

Section: Pull Handle

Model name: CHEP 20-25

Description: 'S' Shaped Pull Handle



model no / **CH 799**



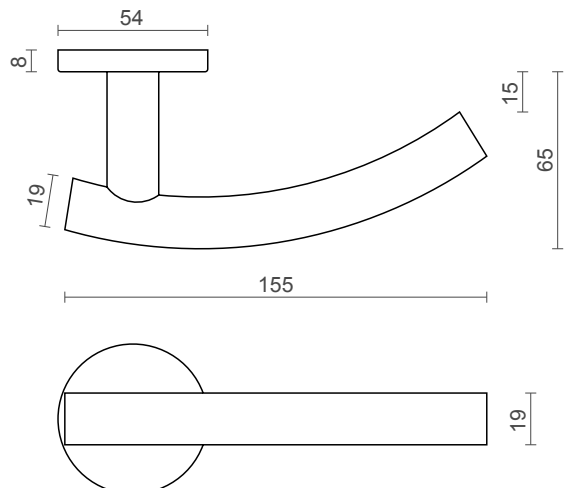
- **Available on:** Sprung or 4mm Unsprung Rose
- **Finishes:** SSS: Satin Stainless Steel
PSS: Polished Stainless Steel

▪ **Series with CH799**

Section: Pull Handle

Model name: CHEP 10-15

Description: Crescent Pull Handle



section / Lever Handles / Hollow

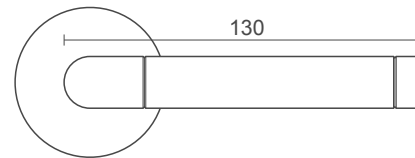
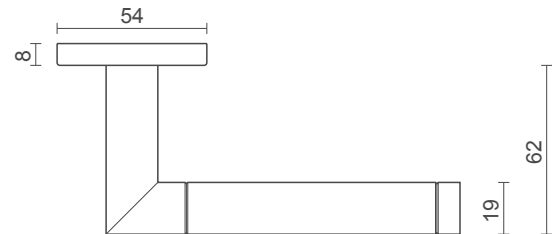
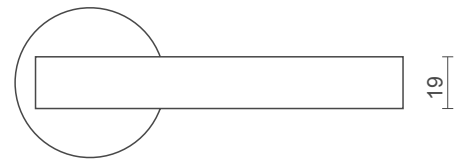
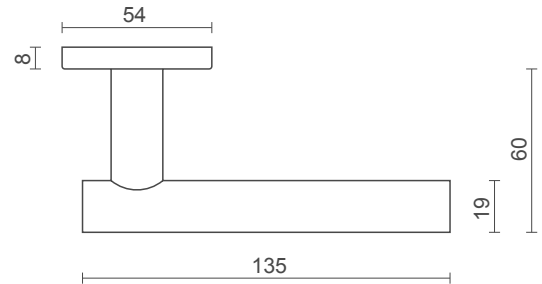
model no / **CH 899**



- **Available on:** Sprung or 4mm Unsprung Rose
- **Finishes:** SSS: Satin Stainless Steel
 PSS: Polished Stainless Steel

▪ **Series with CH899**

Section: Pull Handle
Model name: CHEP 30-39
Description: T bar Pull Handle



model no / **CH 999**



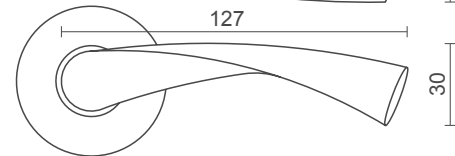
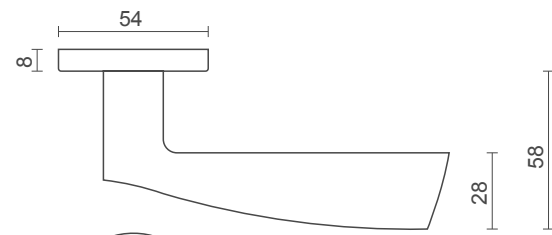
- **Available on:** Sprung Rose
- **Finishes:** Duo - SSS: Satin Stainless Steel
 PSS: Polished Stainless Steel

section / Lever Handles / Solid

model no / **CH 900**



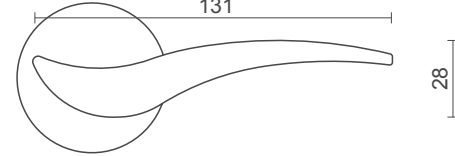
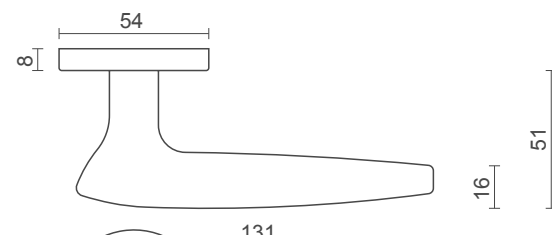
- **Available on:** Sprung Rose
- **Finishes:** SSS: Satin Stainless Steel
 PSS: Polished Stainless Steel



model no / **CH 901**



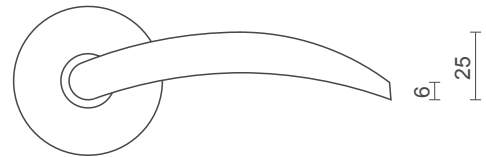
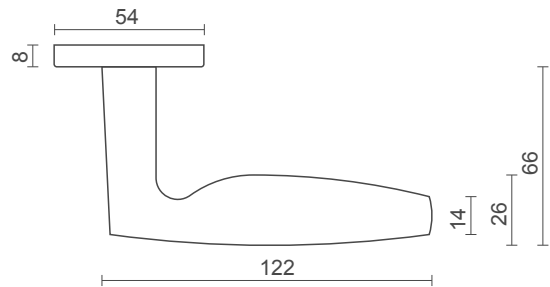
- **Available on:** Sprung Rose
- **Finishes:** SSS: Satin Stainless Steel
 PSS: Polished Stainless Steel



model no / **CH 902**



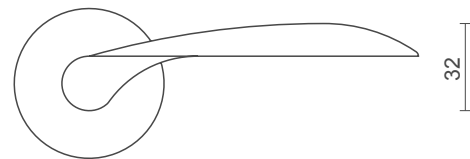
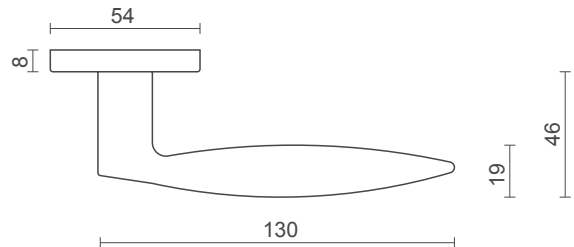
- **Available on:** Sprung Rose
- **Finishes:** SSS: Satin Stainless Steel
PSS: Polished Stainless Steel



model no / **CH 906**



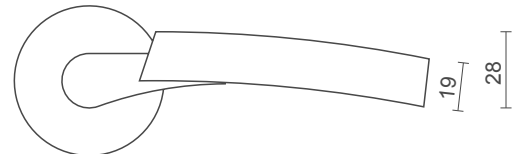
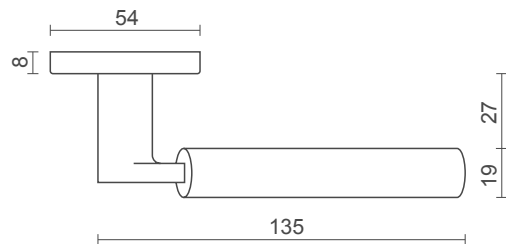
- **Available on:** Sprung Rose
- **Finishes:** SSS: Satin Stainless Steel
PSS: Polished Stainless Steel



model no / **CH 908**



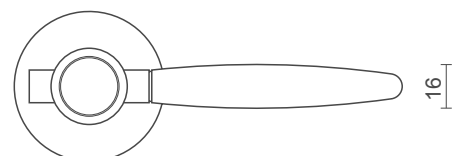
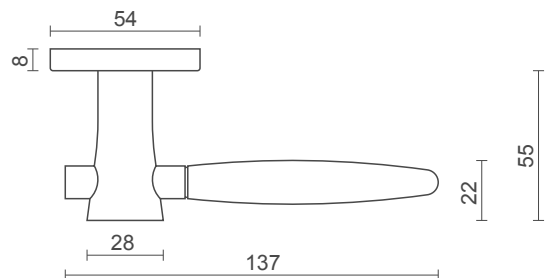
- **Available on:** Sprung Rose
- **Finishes:** SSS: Satin Stainless Steel
PSS: Polished Stainless Steel



model no / **CH 909**



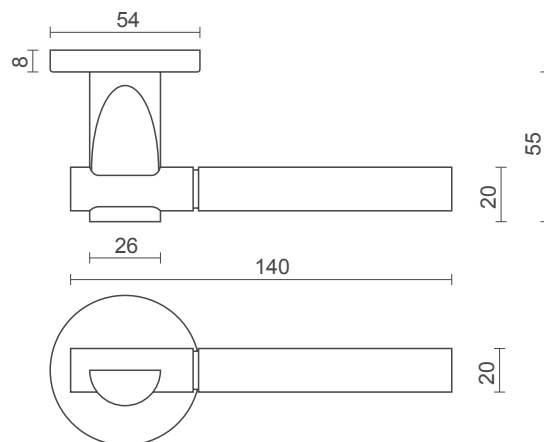
- **Available on:** Sprung Rose
- **Finishes:** SSS: Satin Stainless Steel
PSS: Polished Stainless Steel



model no / **CH 910**



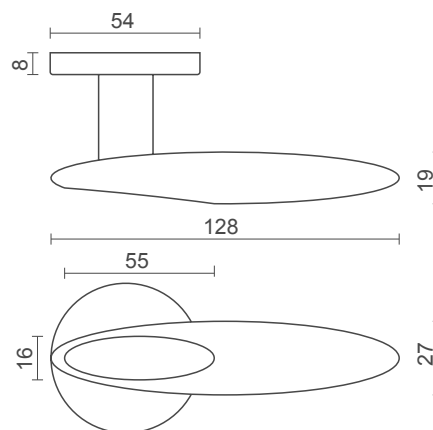
- **Available on:** Sprung Rose
- **Finishes:** SSS: Satin Stainless Steel
 PSS: Polished Stainless Steel



model no / **CH 911**



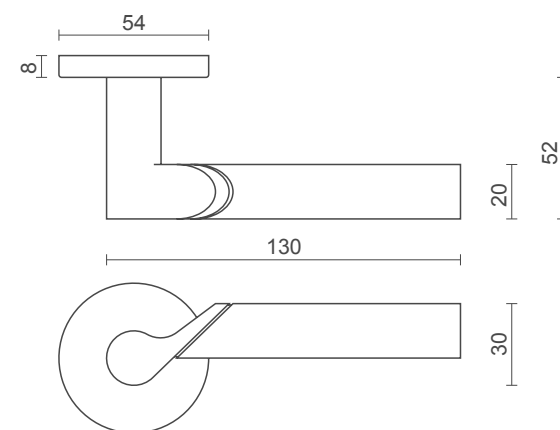
- **Available on:** Sprung Rose
- **Finishes:** SSS: Satin Stainless Steel
 PSS: Polished Stainless Steel



model no / **CH 912**



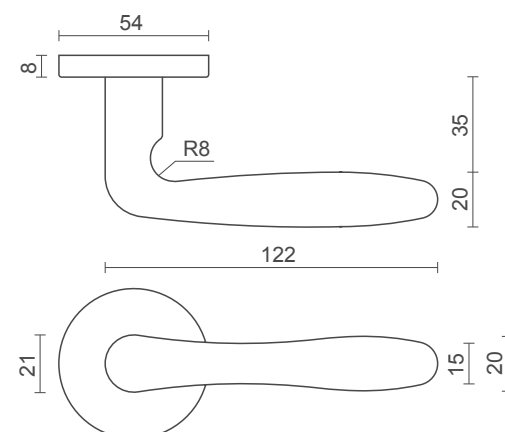
- **Available on:** Sprung Rose
- **Finishes:** SSS: Satin Stainless Steel
 PSS: Polished Stainless Steel



model no / **CH 913**



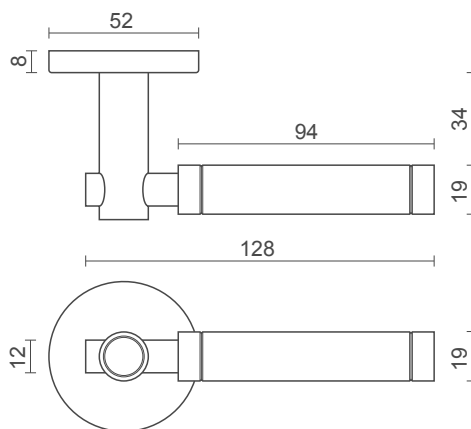
- **Available on:** Sprung Rose
- **Finishes:** SSS: Satin Stainless Steel
 PSS: Polished Stainless Steel



model no / **CH 914**



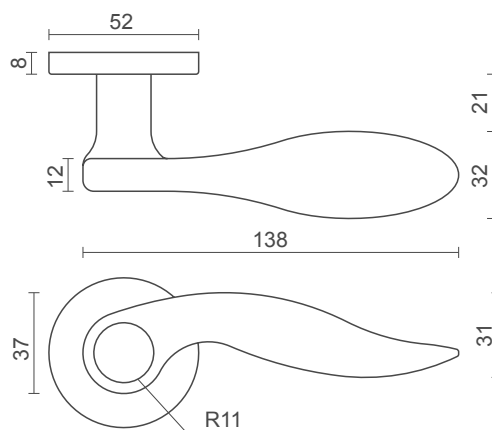
- **Available on:** Sprung Rose
- **Finishes:** SSS: Satin Stainless Steel
 PSS: Polished Stainless Steel



model no / **CH 917**



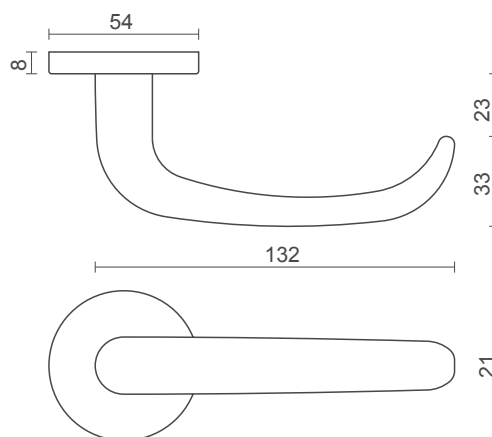
- **Available on:** Sprung Rose
- **Finishes:** SSS: Satin Stainless Steel
 PSS: Polished Stainless Steel



model no / **CH 918**



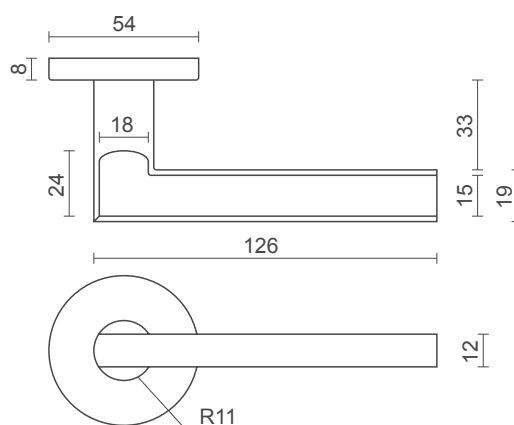
- **Available on:** Sprung Rose
- **Finishes:** SSS: Satin Stainless Steel
 PSS: Polished Stainless Steel



model no / **CH 919**



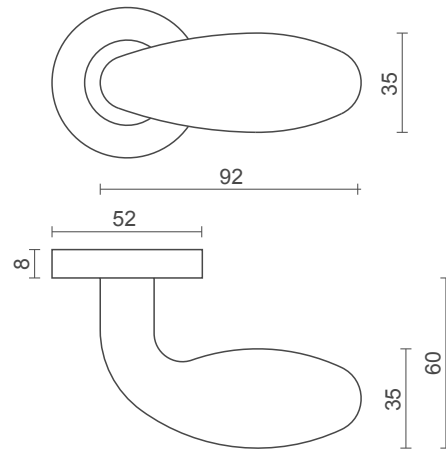
- **Available on:** Sprung Rose
- **Finishes:** SSS: Satin Stainless Steel
 PSS: Polished Stainless Steel



model no / **CH 920**



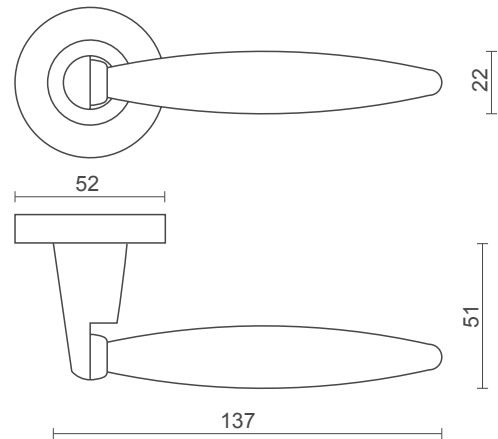
- **Available on:** Sprung Rose
- **Finishes:** SSS: Satin Stainless Steel
 PSS: Polished Stainless Steel



model no / **CH 921**



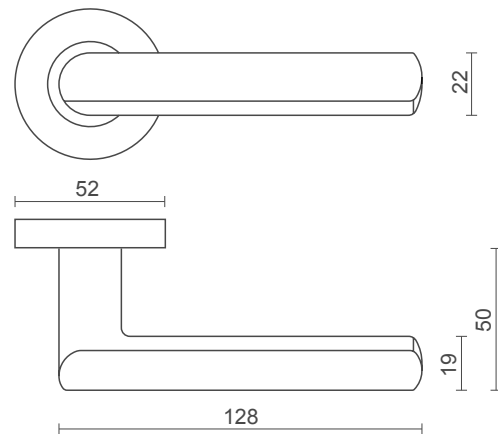
- **Available on:** Sprung Rose
- **Finishes:** SSS: Satin Stainless Steel
 PSS: Polished Stainless Steel



model no / **CH 922**



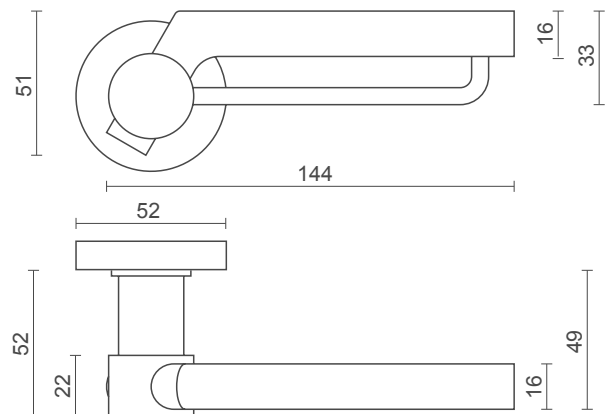
- **Available on:** Sprung Rose
- **Finishes:** SSS: Satin Stainless Steel
 PSS: Polished Stainless Steel



model no / **CH 923**

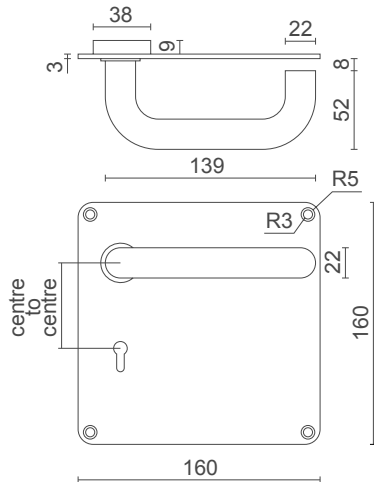


- **Available on:** Sprung Rose
- **Finishes:** SSS: Satin Stainless Steel
 PSS: Polished Stainless Steel



model no / **CH 165**

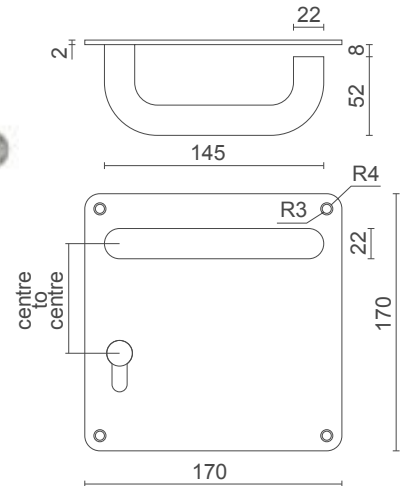
**Lever Handle on 160x160x3mm
 Traditional Keyhole Back Plate**



- Available on: Sprung back plate
- Diameter: 22mm Diameter Lever Handle
- Measurement: 57mm centre to centre
- Finishes: SSS: Satin Stainless Steel
 PSS: Polished Stainless Steel

model no / **CH 170**

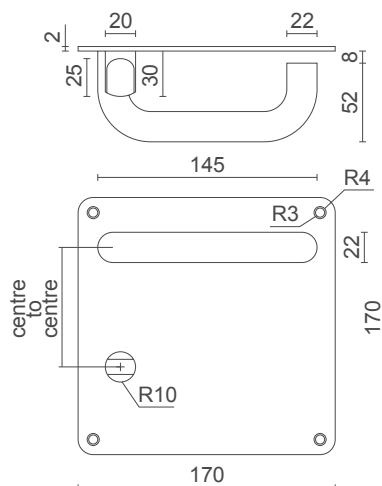
**Lever Handle on 170x170x2mm
 Euro Profile Back Plate**



- Available on: Sprung back plate
- Diameter: 22mm Diameter Lever Handle
- Measurement: 72mm centre to centre
- Finishes: SSS: Satin Stainless Steel
 PSS: Polished Stainless Steel

model no / **CH 180**

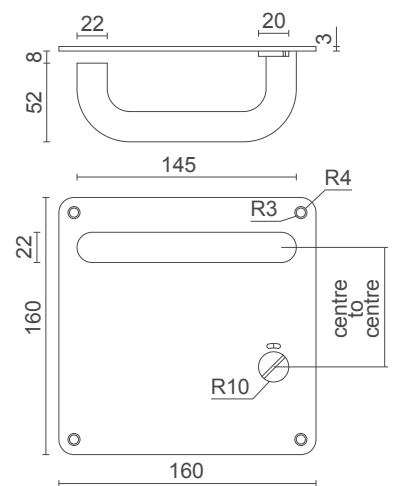
**Lever Handle on 170x170x2mm
 Bathroom Back Plate**



- Available on: Sprung back plate
- Diameter: 22mm Diameter Lever Handle
- Measurement: 78mm centre to centre
- Finishes: SSS: Satin Stainless Steel
 PSS: Polished Stainless Steel

model no / **CH 185**

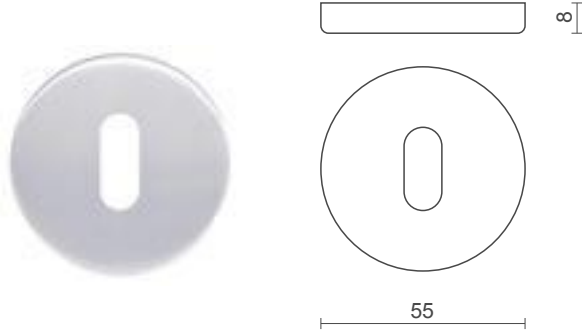
**Lever Handle on 160x160x3mm
 Bathroom Back Plate**



- Available on: Sprung back plate
- Diameter: 22mm Diameter Lever Handle
- Measurement: 78mm centre to centre
- Finishes: SSS: Satin Stainless Steel
 PSS: Polished Stainless Steel

model no / **CH 310**

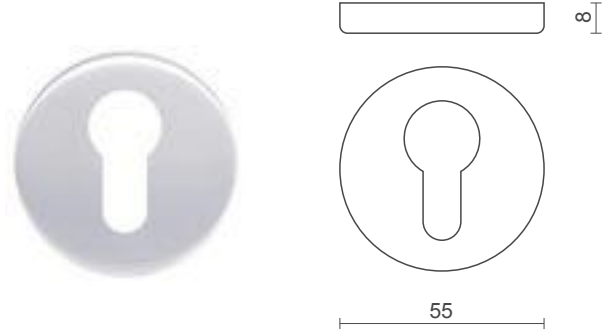
Keyhole Escutcheon



- **Available in: 4mm & 8mm**
- **Finishes:** SSS: Satin Stainless Steel
PSS: Polished Stainless Steel
PAA: Polished Anodised Aluminium
PB: Polished Brass

model no / **CH 311**

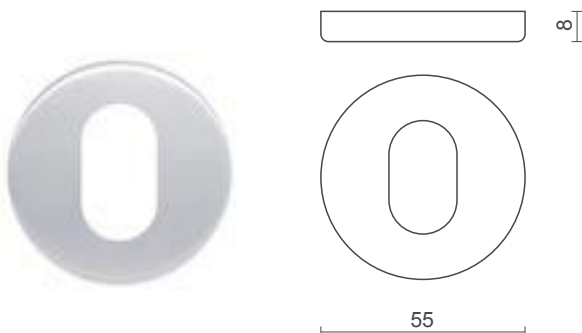
Euro Escutcheon



- **Available in: 4mm & 8mm**
- **Finishes:** SSS: Satin Stainless Steel
PSS: Polished Stainless Steel
PAA: Polished Anodised Aluminium
PB: Polished Brass

model no / **CH 312**

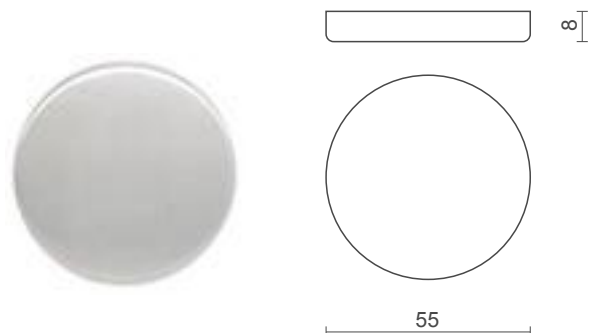
Oval Escutcheon



- **Available in: 4mm & 8mm**
- **Finishes:** SSS: Satin Stainless Steel
PSS: Polished Stainless Steel
PAA: Polished Anodised Aluminium
PB: Polished Brass

model no / **CH 313**

Blank Escutcheon

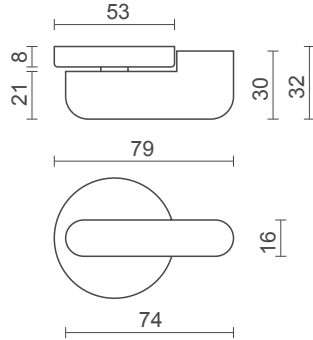


- **Available in: 4mm & 8mm**
- **Finishes:** SSS: Satin Stainless Steel
PSS: Polished Stainless Steel

section / Levers / Thumb Turns & Indicators

model no / **CHTD 1**

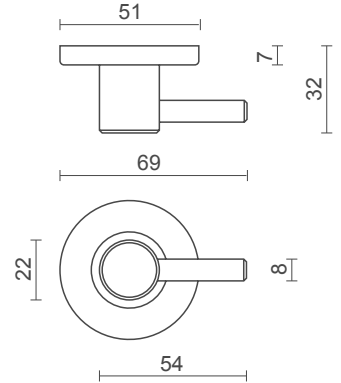
**Disabled Thumb Turn and
 Emergency Release**



- **Finishes:** SSS: Satin Stainless Steel
 PSS: Polished Stainless Steel

model no / **CHTD 2**

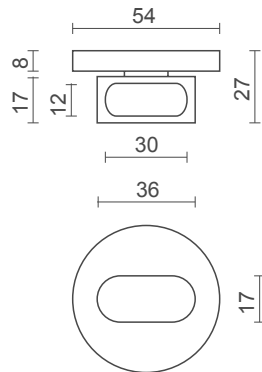
**Disabled Thumb Turn and
 Emergency Release**



- **Finishes:** SSS: Satin Stainless Steel
 PSS: Polished Stainless Steel

model no / **CHTT 3**

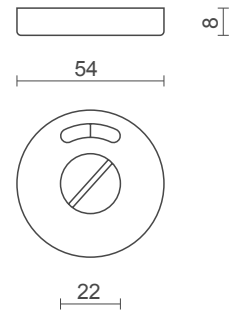
**Standard Thumb Turn and
 Emergency Release**



- **Finishes:** SSS: Satin Stainless Steel
 PSS: Polished Stainless Steel
 PAA: Polished Anodised Aluminium
 PB: Polished Brass

model no / **CHER**

Emergency Release & Indicator

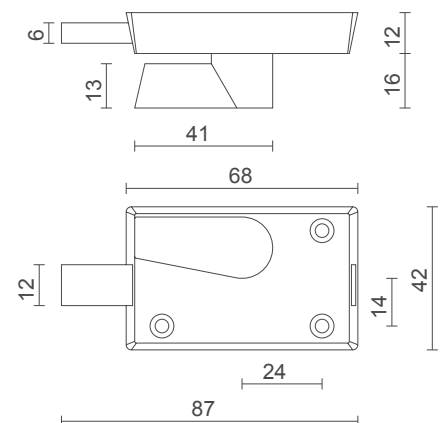
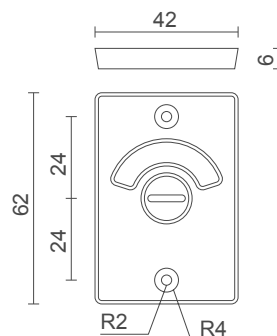


- **Finishes:** SSS: Satin Stainless Steel
 PSS: Polished Stainless Steel
 PAA: Polished Anodised Aluminium
 PB: Polished Brass

- **Available:** without Indicator if require

model no / **CH 421**

Face Fix Indicator Bolt



- **Finishes:** SSS: Satin Stainless Steel
 PSS: Polished Stainless Steel

model no / **CPHH /CPHS**

Standard 'D' Handle



- **Available with:** - Bolt Through Fixed
 - On Concealed Rose
 - Secret Face Fix
 - Back to Back Fixed

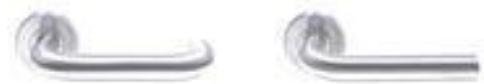
- **Finishes:** SSS: Satin Stainless Steel
 PSS: Polished Stainless Steel
 PAA: Polished Anodised Aluminium
 PB: Polished Brass

▪ **Series with CPHH / CPHS**

Section: Levers

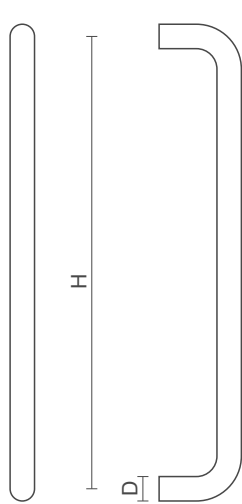
Model name: CH 100, CH199, CH 299

Description: Lever Handle

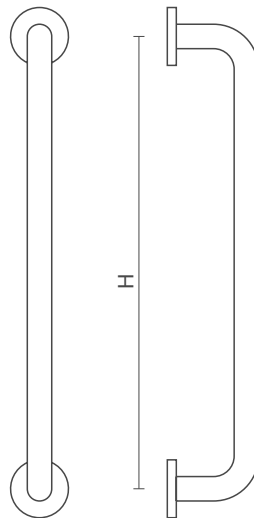


CH 100 / CH199

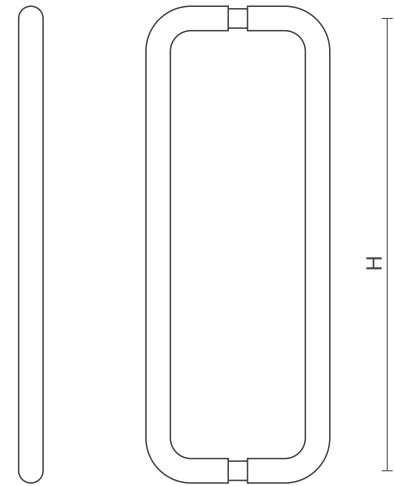
CH 299



D



D



D

CPHH: Hollow

- | | |
|--------------------------------|---------------------------------|
| ▪ CPHH 1: H 150 x D 16 | ▪ CPHH 14: H 425 x D 22 |
| ▪ CPHH 2: H 225 x D 16 | ▪ CPHH 15: H 600 x D 22 |
| ▪ CPHH 3: H 300 x D 16 | ▪ CPHH 16: H 225 x D 25 |
| ▪ CPHH 4: H 425 x D 16 | ▪ CPHH 17: H 300 x D 25 |
| ▪ CPHH 5: H 600 x D 16 | ▪ CPHH 18: H 425 x D 25 |
| ▪ CPHH 6: H 150 x D 19 | ▪ CPHH 19: H 600 x D 25 |
| ▪ CPHH 7: H 225 x D 19 | ▪ CPHH 20: H 900 x D 25 |
| ▪ CPHH 8: H 300 x D 19 | ▪ CPHH 21: H 1200 x D 25 |
| ▪ CPHH 9: H 425 x D 19 | ▪ CPHH 22: H 600 x D 30 |
| ▪ CPHH 10: H 600 x D 19 | ▪ CPHH 23: H 900 x D 30 |
| ▪ CPHH 11: H 900 x D 19 | ▪ CPHH 24: H 1200 x D 30 |
| ▪ CPHH 12: H 225 x D 22 | ▪ CPHH 25: H 1500 x D 30 |
| ▪ CPHH 13: H 300 x D 22 | |

CPHS: Solid

- | | |
|--------------------------------|--------------------------------|
| ▪ CPHS 1: H 110 x D 16 | ▪ CPHS 14: H 300 x D 22 |
| ▪ CPHS 2: H 150 x D 16 | ▪ CPHS 15: H 225 x D 25 |
| ▪ CPHS 3: H 225 x D 16 | ▪ CPHS 16: H 300 x D 25 |
| ▪ CPHS 4: H 300 x D 16 | |
| ▪ CPHS 5: H 425 x D 16 | |
| ▪ CPHS 6: H 600 x D 16 | |
| ▪ CPHS 7: H 150 x D 19 | |
| ▪ CPHS 8: H 225 x D 19 | |
| ▪ CPHS 9: H 300 x D 19 | |
| ▪ CPHS 10: H 425 x D 19 | |
| ▪ CPHS 11: H 600 x D 19 | |
| ▪ CPHS 12: H 150 x D 22 | |
| ▪ CPHS 13: H 225 x D 22 | |

model no / **CHEP 10-15**

Crescent Pull Handle



- **Available with:** - Bolt Through Fixed
- On Concealed Rose
- Secret Face Fix
- Back to Back Fixed

- **Finishes:** SSS: Satin Stainless Steel
PSS: Polished Stainless Steel

- **Series with CHEP 10-15**

Section: Levers

Model name: CH 399, CH599, CH799

Description: Lever Handle



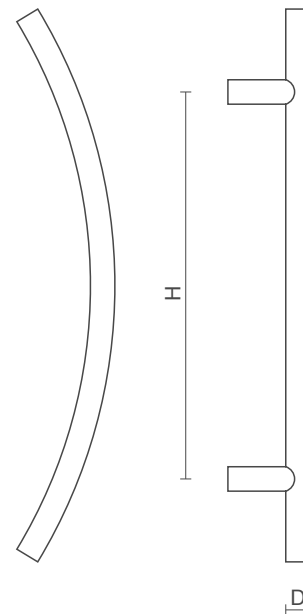
CH 399



CH 599



CH 799



- **CHEP 10:** H 225 x D 19
- **CHEP 11:** H 300 x D 19
- **CHEP 15:** H 600 x D 25

model no / **CHEP 20-25**

'S' Shaped Pull Handle



- **Available with:** - Bolt Through Fixed
- On Concealed Rose
- Secret Face Fix
- Back to Back Fixed

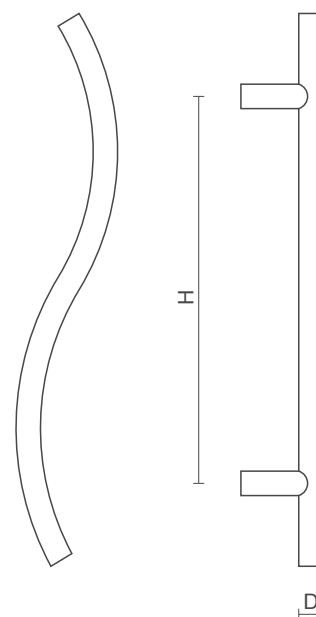
- **Finishes:** SSS: Satin Stainless Steel
PSS: Polished Stainless Steel

- **Series with CHEP 20-25**

Section: Levers

Model name: CH 699

Description: Lever Handle



- **CHEP 20:** H 225 x D 19
- **CHEP 21:** H 300 x D 19
- **CHEP 25:** H 600 x D 25

model no / **CHEP 30-39**

'T' Bar Pull Handle

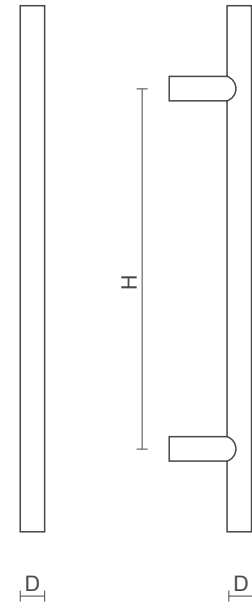


- **Available with:** - Bolt Through Fixed
 - On Concealed Rose
 - Secret Face Fix
 - Back to Back Fixed

- **Finishes:** SSS: Satin Stainless Steel
 PSS: Polished Stainless Steel

▪ **Series with CHEP 30-39**

Section: Levers
Model name: CH 899
Description: Lever Handle



- | | |
|--------------------------------|------------------------------------|
| ▪ CHEP 30: H 225 x D 19 | ▪ CHEP 39.01: H 1200 x D 25 |
| ▪ CHEP 31: H 300 x D 19 | ▪ CHEP 39.02: H 600 x D 32 |
| ▪ CHEP 32: H 425 x D 19 | ▪ CHEP 39.03: H 750 x D 32 |
| ▪ CHEP 33: H 600 x D 19 | ▪ CHEP 39.04: H 900 x D 32 |
| ▪ CHEP 34: H 900 x D 19 | ▪ CHEP 39.05: H 1200 x D 32 |
| ▪ CHEP 35: H 300 x D 25 | ▪ CHEP 39.06: H 1500 x D 32 |
| ▪ CHEP 36: H 425 x D 25 | ▪ CHEP 39.07: H 900 x D 38 |
| ▪ CHEP 37: H 600 x D 25 | ▪ CHEP 39.08: H 1200 x D 38 |
| ▪ CHEP 38: H 750 x D 25 | ▪ CHEP 39.09: H 1500 x D 38 |
| ▪ CHEP 39: H 900 x D 25 | ▪ CHEP 39.10: H 1800 x D 38 |

model no / **CHEP 41-45**

Mitred Pull Handle

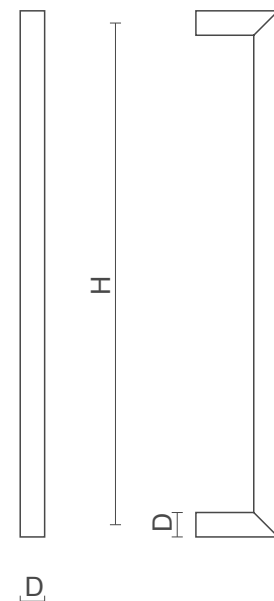


- **Available with:** - Bolt Through Fixed
 - On Concealed Rose
 - Secret Face Fix
 - Back to Back Fixed

- **Finishes:** SSS: Satin Stainless Steel
 PSS: Polished Stainless Steel

▪ **Series with CHEP 41-45**

Section: Levers
Model name: CH 499
Description: Lever Handle



- **CHEP 41:** H 300 x D 19
- **CHEP 45:** H 600 x D 25

model no / **CHEP 50-55**

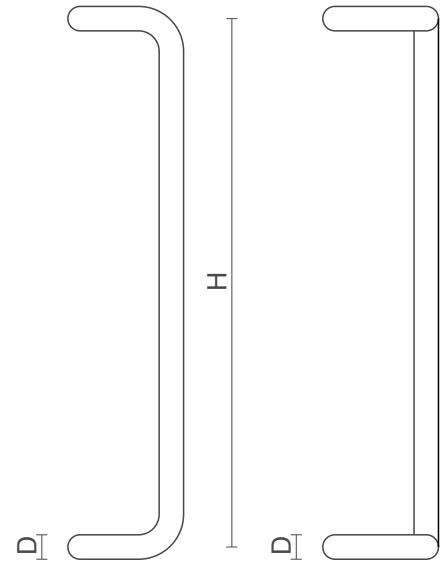
Cranked Pull Handle



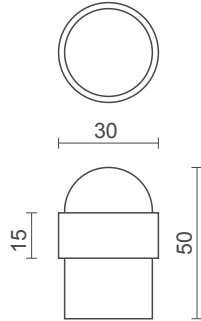
- **Available with:** - Bolt Through Fixed
- On Concealed Rose
- Secret Face Fix
- Back to Back Fixed

- **Finishes:** SSS: Satin Stainless Steel
PSS: Polished Stainless Steel

- **CHEP 50:** H 225 x D 19
- **CHEP 51:** H 300 x D 19
- **CHEP 52:** H 425 x D 19
- **CHEP 53:** H 600 x D 19
- **CHEP 54:** H 300 x D 25
- **CHEP 55:** H 600 x D 25

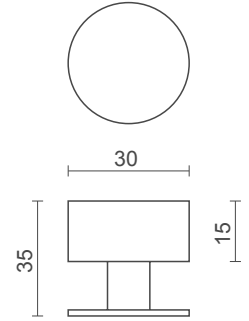


model no / **DS 72**



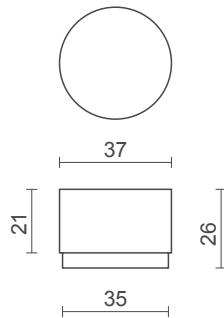
- **Finishes:** SSS: Satin Stainless Steel
 PSS: Polished Stainless Steel
 PAA: Polished Anodised Aluminium
 PCP: Polished Chrome Plate
 PB: Polished Brass

model no / **DS 73**



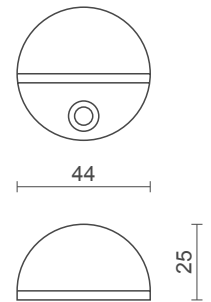
- **Finishes:** SSS: Satin Stainless Steel
 PSS: Polished Stainless Steel

model no / **DS 74**



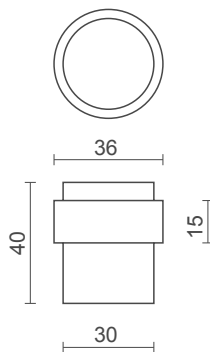
- **Finishes:** SSS: Satin Stainless Steel
 PSS: Polished Stainless Steel
 PAA: Polished Anodised Aluminium
 PB: Polished Brass

model no / **DS 75**



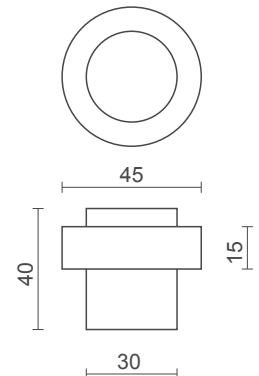
- **Finishes:** SSS: Satin Stainless Steel
 PSS: Polished Stainless Steel
 PAA: Polished Anodised Aluminium
 SCP: Satin Chrome Plate
 PCP: Polished Chrome Plate
 SNP: Satin Nickel Plate
 PB: Polished Brass

model no / **DS 77**



- **Finishes:** SSS: Satin Stainless Steel
 PSS: Polished Stainless Steel
 PAA: Polished Anodised Aluminium
 SCP: Satin Chrome Plate
 PCP: Polished Chrome Plate
 PB: Polished Brass

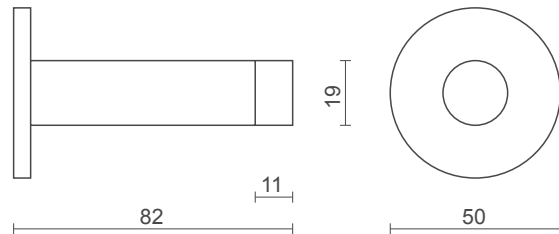
model no / **DS 77H**



- **Finishes:** SSS: Satin Stainless Steel
 PSS: Polished Stainless Steel
 PAA: Polished Anodised Aluminium
 SCP: Satin Chrome Plate
 PCP: Polished Chrome Plate
 PB: Polished Brass

model no / **DS 78**

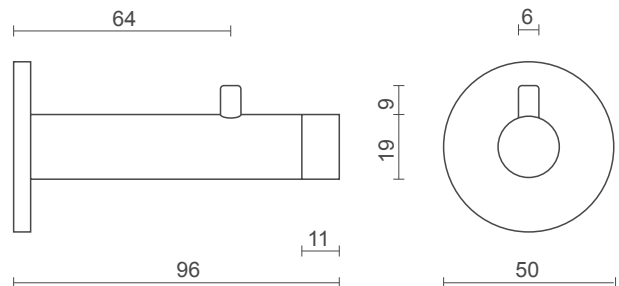
Skirting Door Stop



- **Finishes:** SSS: Satin Stainless Steel
PSS: Polished Stainless Steel
PAA: Polished Anodised Aluminium
PB: Polished Brass

model no / **DS 78P**

Projection Door Stop With Clothes Peg



- **Finishes:** SSS: Satin Stainless Steel
PSS: Polished Stainless Steel

model no / **DS 79**

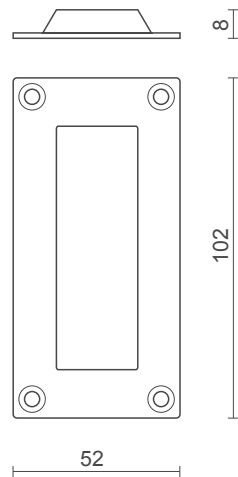
Skirting Door Stop



- **Finishes:** SSS: Satin Stainless Steel
PSS: Polished Stainless Steel
PAA: Polished Anodised Aluminium

model no / **CFP 1**

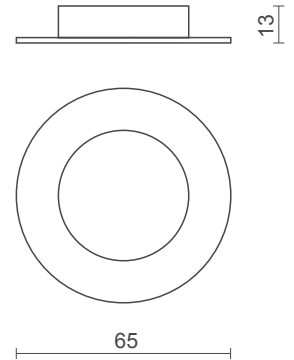
Rectangular Flush Pull



- **Finishes:** SSS: Satin Stainless Steel
PSS: Polished Stainless Steel

model no / **CFP 2**

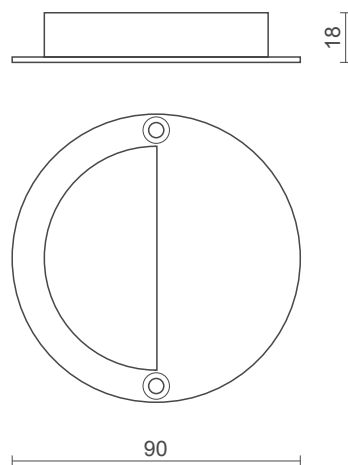
Round Flush Pull



- **Finishes:** SSS: Satin Stainless Steel
PSS: Polished Stainless Steel

model no / **CFP 3**

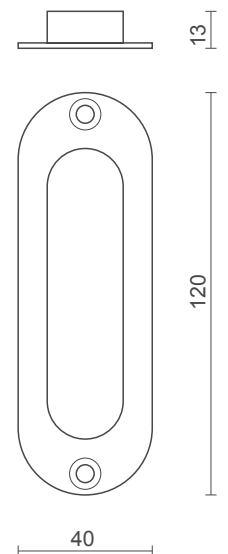
Round Flush Pull



- **Finishes:** SSS: Satin Stainless Steel
PSS: Polished Stainless Steel

model no / **CFP 4**

Oval Flush Pull



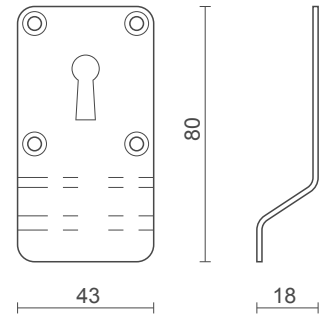
- **Finishes:** SSS: Satin Stainless Steel
PSS: Polished Stainless Steel

model no / **CH 315**

Keyhole Cylinder Pull



- **Finishes:** SSS: Satin Stainless Steel
PSS: Polished Stainless Steel
PAA: Polished Anodised Aluminium
PB: Polished Brass

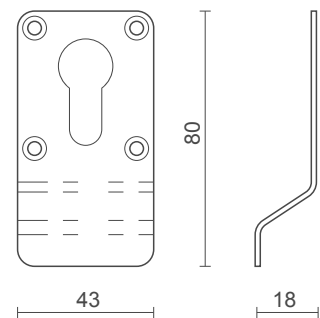


model no / **CH 316**

Euro Cylinder Pull



- **Finishes:** SSS: Satin Stainless Steel
PSS: Polished Stainless Steel
PAA: Polished Anodised Aluminium
PB: Polished Brass

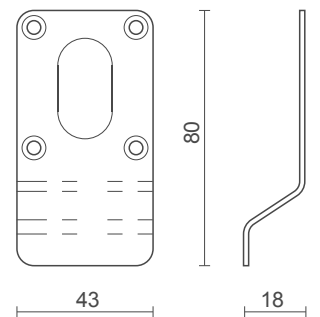


model no / **CH 317**

Oval Cylinder Pull



- **Finishes:** SSS: Satin Stainless Steel
PSS: Polished Stainless Steel
PAA: Polished Anodised Aluminium
PB: Polished Brass

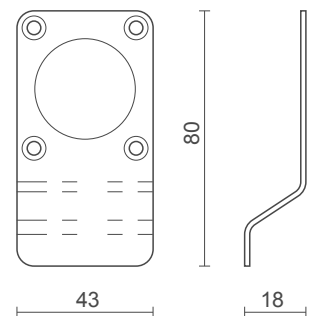


model no / **CH 318**

Rim Cylinder Pull



- **Finishes:** SSS: Satin Stainless Steel
PSS: Polished Stainless Steel
PAA: Polished Anodised Aluminium
PB: Polished Brass

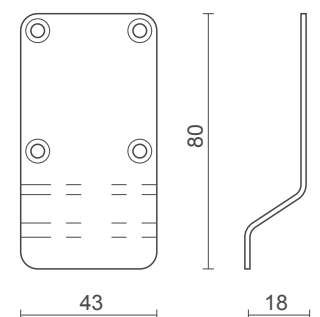


model no / **CH 319**

Blank Cylinder Pull

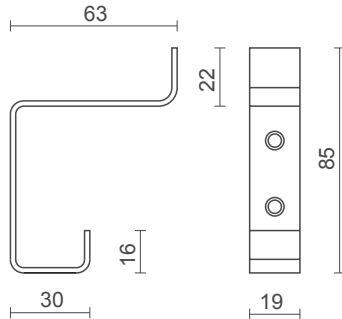


- **Finishes:** SSS: Satin Stainless Steel
PSS: Polished Stainless Steel
PAA: Polished Anodised Aluminium
PB: Polished Brass



model no / **CH 440**

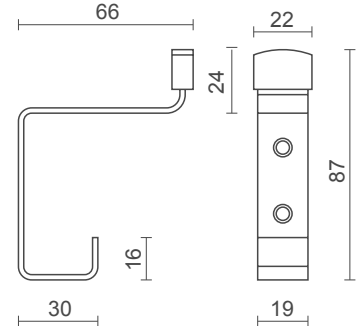
Hat & Coat Hook



- **Finishes:** SSS: Satin Stainless Steel
 PSS: Polished Stainless Steel
 PAA: Polished Anodised Aluminium
 PB: Polished Brass

model no / **CH 440B**

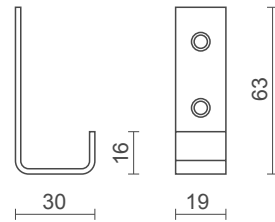
Buffered Hat & Coat Hook



- **Finishes:** SSS: Satin Stainless Steel
 PSS: Polished Stainless Steel
 PAA: Polished Anodised Aluminium
 PB: Polished Brass

model no / **CH 441**

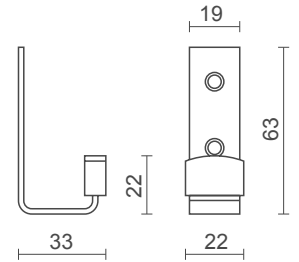
Coat Hook



- **Finishes:** SSS: Satin Stainless Steel
 PSS: Polished Stainless Steel
 PAA: Polished Anodised Aluminium
 PB: Polished Brass

model no / **CH 441B**

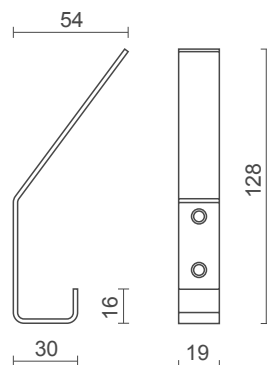
Buffered Coat Hook



- **Finishes:** SSS: Satin Stainless Steel
 PSS: Polished Stainless Steel
 PAA: Polished Anodised Aluminium
 PB: Polished Brass

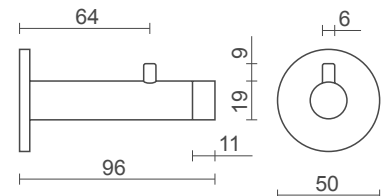
model no / **CH 442**

Strip Pattern Hat & Coat Hook



- **Finishes:** SSS: Satin Stainless Steel
 PSS: Polished Stainless Steel
 PAA: Polished Anodised Aluminium

model no / **CH 443**



- **Finishes:** SSS: Satin Stainless Steel
 PSS: Polished Stainless Steel

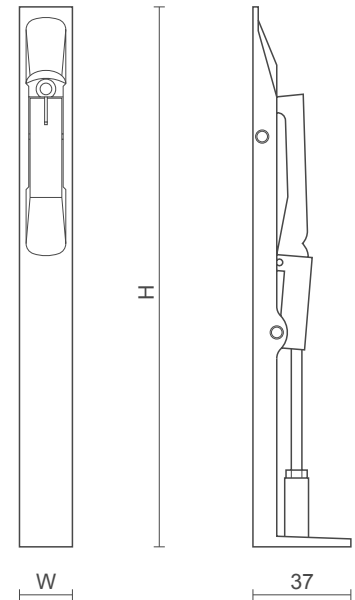
model no / **FB 1-6**

Flushbolt For Wooden Doors



- **Finishes:** PAA: Polished Anodised Aluminium
SCP: Satin Chrome Plate
PCP: Polished Chrome Plate
SNP: Satin Nickel Plate
PB: Polished Brass

- **FB 1:** H 150 x W 19
- **FB 2:** H 200 x W 19
- **FB 3:** H 250 x W 19
- **FB 4:** H 300 x W 19
- **FB 5:** H 450 x W 19
- **FB 6:** H 600 x W 19

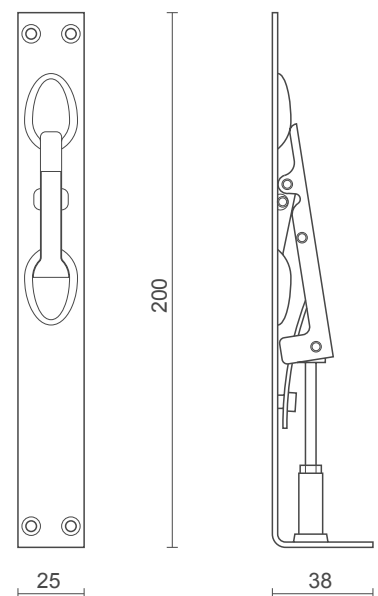


model no / **FB 7**

Flushbolt For Wooden Doors



- **Finishes:** SSS: Satin Stainless Steel
- **FB 7:** H 200 x W 25

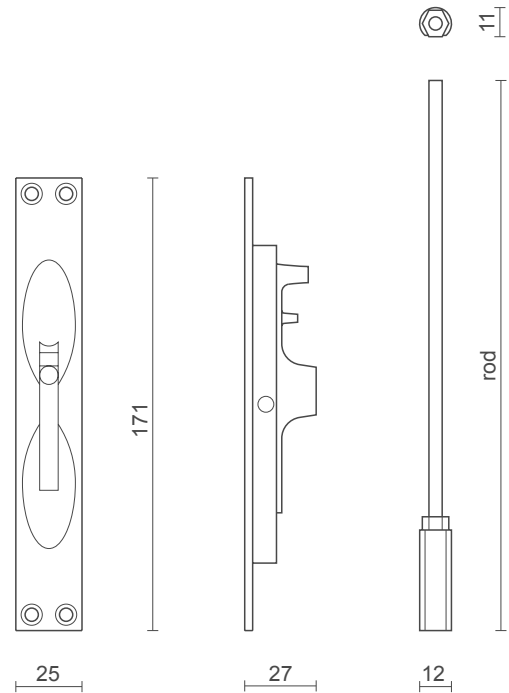


model no / **282D.8 & 9**

Metal Door Flushbolts



- **Finishes:** SCP: Satin Chrome Plate
- **282D.8:** 200mm rod
- **282D.9:** 300mm rod
- These bolts have been fire tested for 240 min

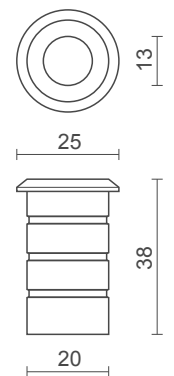


model no / **CDS 75**

Dust Excluding Sockets



- **Finishes:** SSS: Satin Stainless Steel
 PSS: Polished Stainless Steel
 SCP: Satin Chrome Plate
 PB: Polished Brass

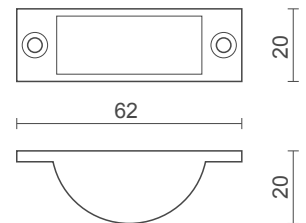


model no / **CEC 80**

Easy Clean Sockets



- **Finishes:** PAA: Polished Anodised Aluminium
 SCP: Satin Chrome Plate
 PB: Polished Brass

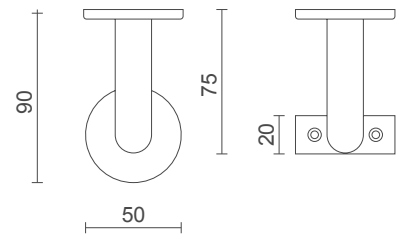


model no / **CH 480**

Handrail Bracket



- **Finishes:** SSS: Satin Stainless Steel
 PSS: Polished Stainless Steel
 PAA: Polished Anodised Aluminium
 PB: Polished Brass

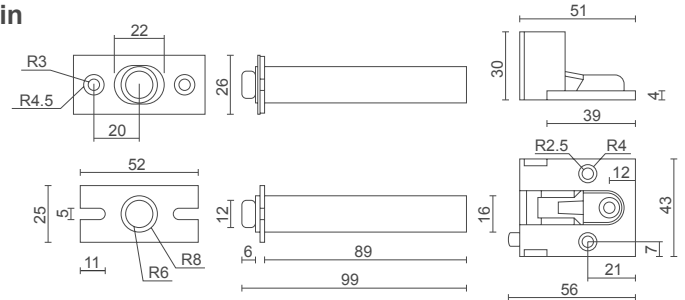


model no / **CDC 22**

Concealed Fix Security Door Chain



- **Finishes:** PCP: Polished Chrome Plate
 PB: Polished Brass

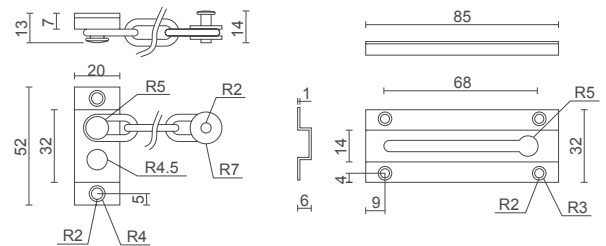


model no / **CDC 24**

Surface Mounted Door Chain



- **Finishes:** PCP: Polished Chrome Plate
 SNP: Satin Nickel Plate
 SCP: Satin Chrome Plate
 PB: Polished Brass

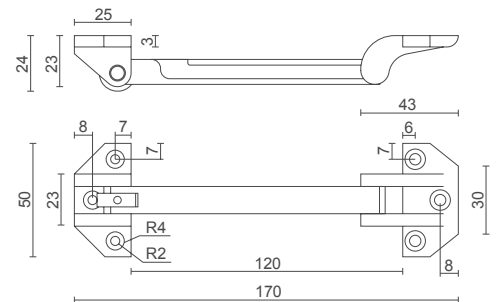


model no / **CDG 25**

Door Guard



- **Finishes:** PCP: Polished Chrome Plate
 SCP: Satin Chrome Plate
 PB: Polished Brass

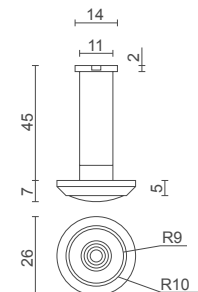


model no / **CDV 32**

Door Viewer



- **Viewing angle:** 180 degrees
- **Maximum Door Thickness:** 60 mm
- **Finishes:** PCP: Polished Chrome Plate
 SCP: Satin Chrome Plate
 PB: Polished Brass

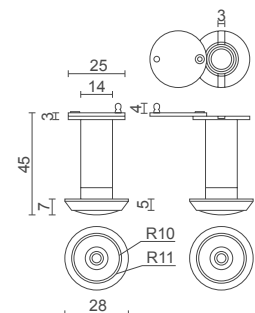


model no / **CDV 35**

Door Viewer with Viewer Cover



- **Viewing angle:** 200 degrees
- **Maximum Door Thickness:** 55 mm
- **Finishes:** SNP: Satin Nickel Plate
 PB: Polished Brass
 CP: Chrome Plate



model no / **CPP 1-4**

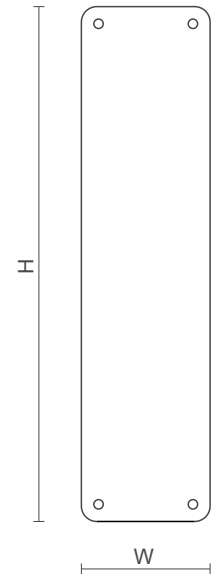
Finger Plate



- All plates are drilled and countersunk as standard with radius corners.
- Engraved to order.

- **Finishes:** SSS: Satin Stainless Steel
 PSS: Polished Stainless Steel

- **CPP 1:** H 300 x W 75
- **CPP 2:** H 300 x W 100
- **CPP 3:** H 350 x W 100
- **CPP 4:** H 400 x W 100



model no / **CH 350**

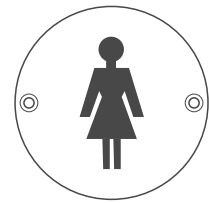
Male



- **Finishes:** SSS: Satin Stainless Steel
 PSS: Polished Stainless Steel
 PAA: Polished Anodised Aluminium

model no / **CH 351**

Female



- **Finishes:** SSS: Satin Stainless Steel
 PSS: Polished Stainless Steel
 PAA: Polished Anodised Aluminium

model no / **CH 352**

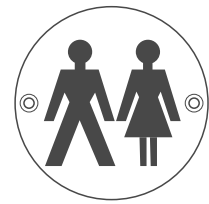
Disabled



- **Finishes:** SSS: Satin Stainless Steel
 PSS: Polished Stainless Steel
 PAA: Polished Anodised Aluminium

model no / **CH 353**

Unisex



- **Finishes:** SSS: Satin Stainless Steel
 PSS: Polished Stainless Steel
 PAA: Polished Anodised Aluminium

model no / **CH 354**

Shower

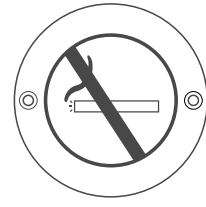


76

- **Finishes:** SSS: Satin Stainless Steel
 PSS: Polished Stainless Steel

model no / **CH 355**

No Smoking



76

- **Finishes:** SSS: Satin Stainless Steel
 PSS: Polished Stainless Steel

model no / **CH 356**

Baby Change



76

- **Finishes:** SSS: Satin Stainless Steel
 PSS: Polished Stainless Steel

model no / **CH 357**

Fire Door Keep Shut



76

- **Finishes:** SSS: Satin Stainless Steel
 PSS: Polished Stainless Steel
 PAA: Polished Anodised Aluminium

model no / **CH 358**

Fire Door Keep Locked

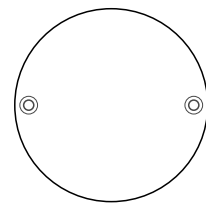


76

- **Finishes:** SSS: Satin Stainless Steel
 PSS: Polished Stainless Steel
 PAA: Polished Anodised Aluminium

model no / **CH 359**

Automatic Fire Door Keep Clear



76

- **Finishes:** SSS: Satin Stainless Steel
 PSS: Polished Stainless Steel
 PAA: Polished Anodised Aluminium

model no / **CH 360**

Push

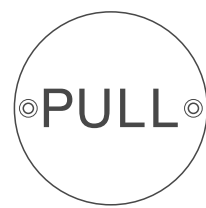


76

- **Finishes:** SSS: Satin Stainless Steel
 PSS: Polished Stainless Steel

model no / **CH 361**

Pull



76

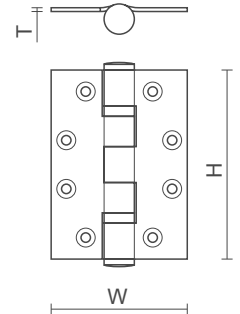
- **Finishes:** SSS: Satin Stainless Steel
 PSS: Polished Stainless Steel

model no / **CBH**

Ball Bearing Hinge



- **Hinge Grade:** Grade 13
 - **Features:** Load bearing capacity upto 120Kg and durability tested to over 200 000 cycles
 - **Finishes:** SSS: Satin Stainless Steel
PSS: Polished Stainless Steel
 - ***Independent Testing:** Tested to EN1935
 - ***Fire Rating:** Tested to EN1634-1
- CBH.100 : H 76 x W 52 x T 2
 - *CBH.102 : H 102 x W 76 x T 3
 - CBH.103 : H 102 x W 89 x T 3
 - *CBH.104 : H 102 x W 102 x T 3
 - CBH.105 : H 114 x W 102 x T 3.4
 - CBH.106 : H 114 x W 114 x T 3.5



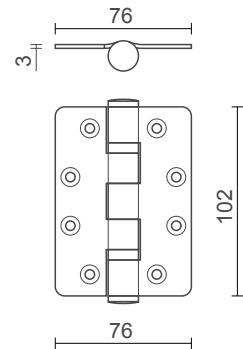
model no / **CRCH**

Radius Cornered Ball Bearing Hinge



- **Finishes:** SSS: Satin Stainless Steel
PSS: Polished Stainless Steel

- CRCH.1 : 102 x 76 x 3
- CRCH.2 : 100 x 100 x 3



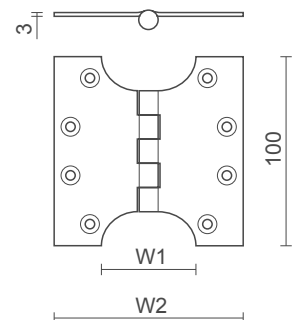
model no / **CPH**

Parliament Hinge



- **Finishes:** PCP: Polished Chrome Plate
PB: Polished Brass
SCP: Satin Chrome Plate

- CPH.30 : 100 x W1: 75 x W2: 100
- CPH.31 : 100 x W1: 75 x W2: 125
- CPH.32 : 100 x W1: 100 x W2: 150



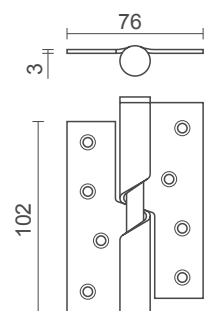
model no / **CRH**

Rising and Falling Hinge



- **Finishes:** SSS: Satin Stainless Steel
PSS: Polished Stainless Steel

- CRH.19 : Left Hand Rising Butt Hinge, 102 x 76 x 3
- CRH.20 : Right Hand Rising Butt Hinge, 102 x 76 x 3
- CFH.21 : Left Hand Falling Butt Hinge, 102 x 76 x 3
- CFH.22 : Right Hand Falling Butt Hinge, 102 x 76 x 3



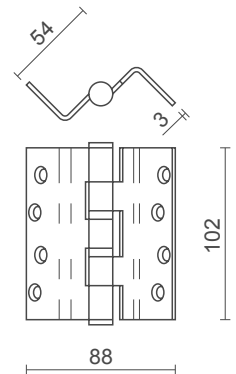
model no / **CSCH 25**

Swing Clear Ball Bearing Hinge



- **Finishes:** SSS: Satin Stainless Steel
 PSS: Polished Stainless Steel
 PCP: Polished Chrome Plate
 PB: Polished Brass

- CSCH.25 : 102 x 3



model no / **CCH**

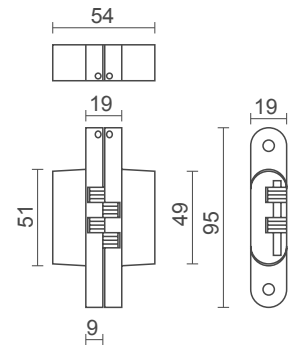
Concealed Hinge



- **Finishes:** Zinc diecast
 SNP: Satin Nickel Plate
 PB: Polished Brass

- **Note:** Not suitable for fire doors

- CCH212 : 95mm (for doors 28-34mm)
- CCH216 : 117mm (for doors 35-38mm)



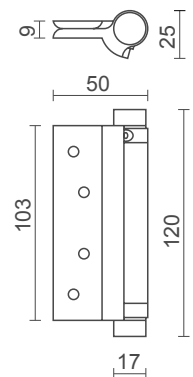
model no / **CSA**

Single Action Spring Hinge



- **Features:** Suitable for doors up to 4" wide x 8" high by max 80kgs
- **Fire Rating :** UL listed & EN1634-1 tested
- **Finishes :** US26D (SCP: Satin Chrome Plate) : standard
 US32S(SSS: Satin Stainless Steel) : to order

- CSA103 : 4.5" x 4" (114x101mm)



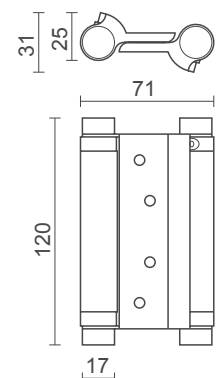
model no / **CDA**

Double Action Spring Hinge



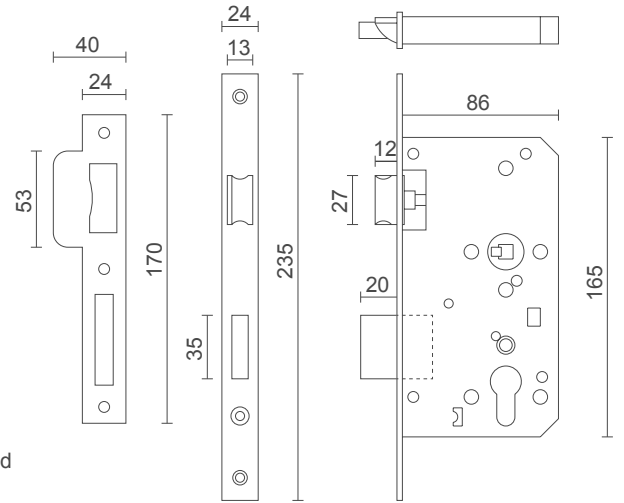
- **Fire Rating :** Not suitable for use on fire doors
- **Finishe :** SSS: Satin Stainless Steel
 PSS: Polished Stainless Steel
 PB: Polished Brass

- CDA101 : 4" for doors max 22kg
- CDA102 : 5" for doors max 27kg
- CDA103 : 6" for doors max 40kg



model no / **CH 7250F**

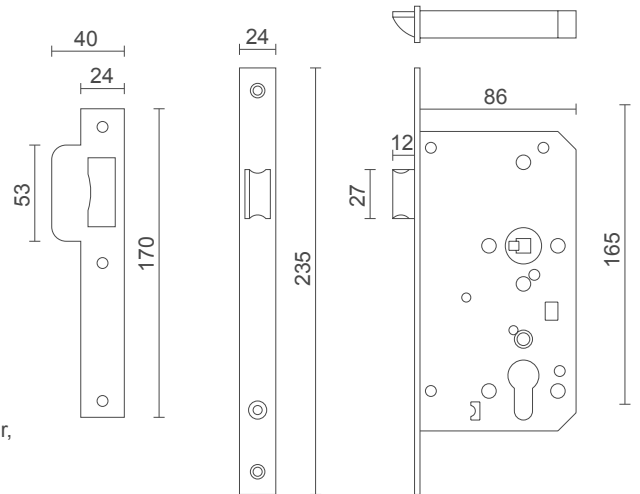
DIN Standard Euro Profile Sashlock



- **Dimensions:** 72mm centre to centre, 55mm Backset, 8mm Follower, 24mm wide forend
- **Finishes:** SSS: Satin Stainless Steel

model no / **CH 7251F**

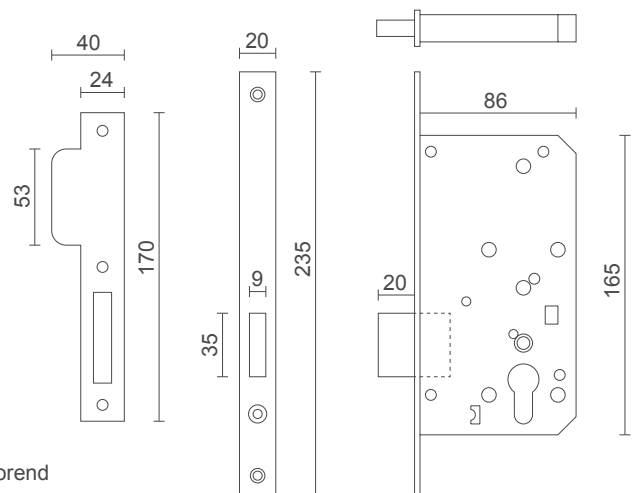
DIN Standard Latch



- **Dimensions:** 55mm Backset, 8mm Follower, 24mm wide forend
- **Finishes:** SSS: Satin Stainless Steel

model no / **CH 7252F**

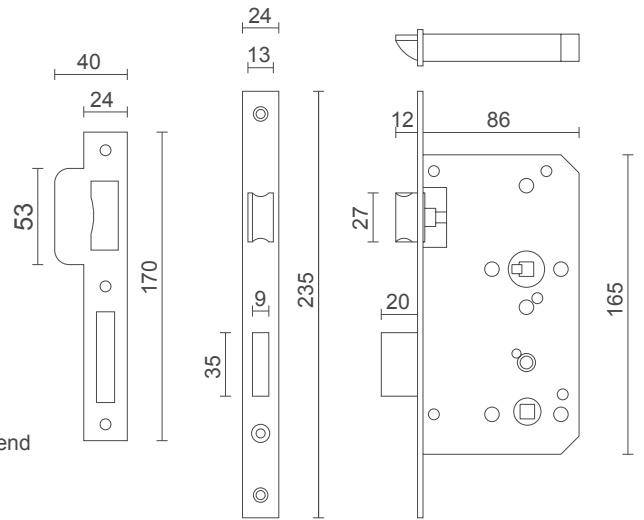
DIN Standard Deadlock



- **Dimensions:** 55mm Backset, 24mm wide forend
- **Finishes:** SSS: Satin Stainless Steel

model no / **CH 7253F**

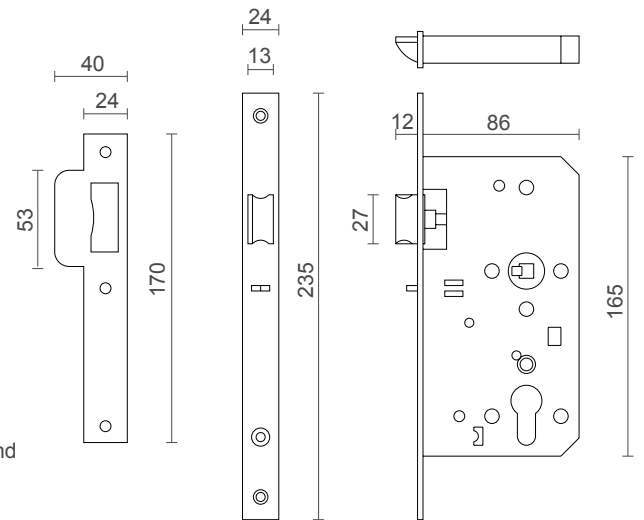
DIN Standard Bathroom Lock



- **Dimensions:** 78mm centre to centre, 55mm Backset, 8mm Follower, 24mm wide forend
- **Finishes:** SSS: Satin Stainless Steel

model no / **CH 7254F**

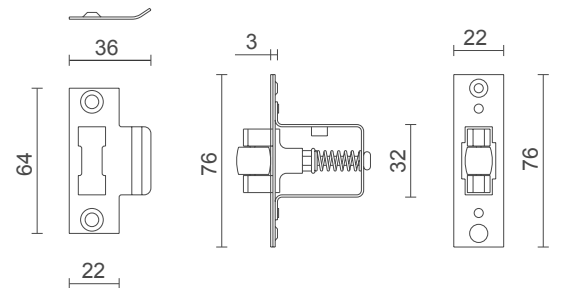
DIN Standard Night Latch



- **Dimensions:** 55 Backset, 24mm wide forend
- **Finishes:** SSS: Satin Stainless Steel

model no / **CH 825**

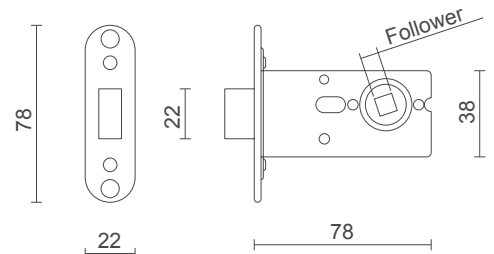
Heavy Duty Roller Catch



- **Finishes:** SSS: Satin Stainless Steel
 PSS: Polished Stainless Steel
 PB: Polished Brass

model no / **CHDB 1**

Bathroom Deadbolt



- **Available with :** Follower: 5mm or 8mm
- **Finishes:** SSS: Satin Stainless Steel
 PSS: Polished Stainless Steel
 PB: Polished Brass

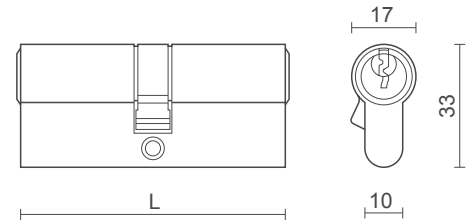
model no / **CH 780**

Double Cylinder



- **Finish:** SNP
- **Features:** Available Master Keyed and Standard Differ.
- **Independent Testing:** Tested To EN1303

- **CH 780.1:** L: 60
- **CH 780.2:** L: 70
- **CH 780.3:** L: 80



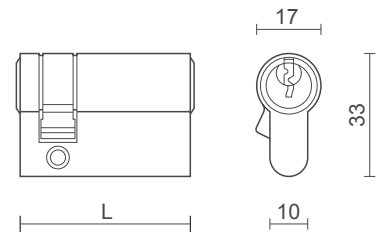
model no / **CH 781**

Single Cylinder



- **Finish:** SNP
- **Features:** Available Master Keyed and Standard Differ.
- **Independent Testing:** Tested To EN1303

- **CH 781.1:** L: 40
- **CH 781.2:** L: 45
- **CH 781TO:** Available with turn only



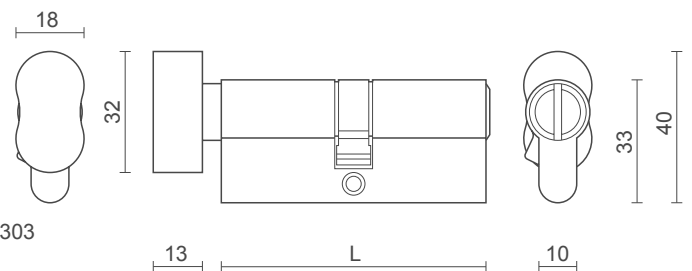
model no / **CH 782**

Bathroom Cylinder



- **Finish:** SNP
- **Independent Testing:** Tested To EN1303

- **CH 782.1:** L: 60
- **CH 782.2:** L: 70
- **CH 782.3:** L: 80



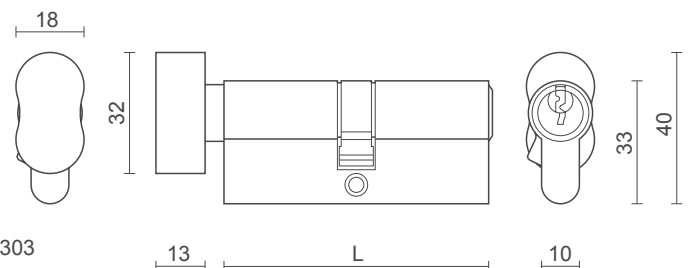
model no / **CH 783**

Cylinder & Turn



- **Finish:** SNP
- **Features:** Available Master Keyed and Standard Differ.
- **Independent Testing:** Tested To EN1303

- **CH 783.1:** L: 60
- **CH 783.2:** L: 70
- **CH 783.3:** L: 80

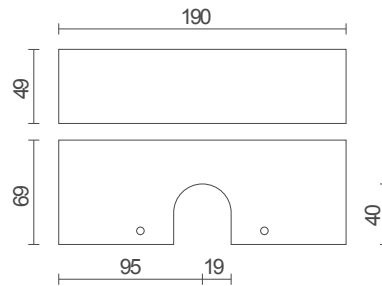
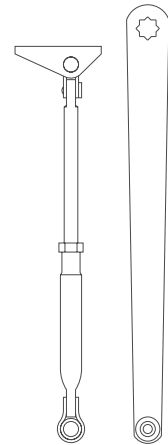
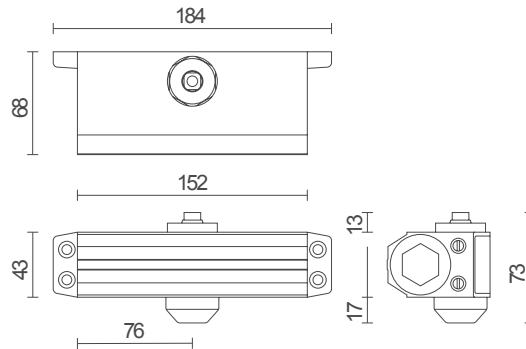


model no / **CDC650**



with Cover

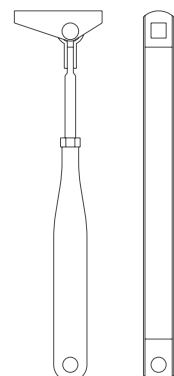
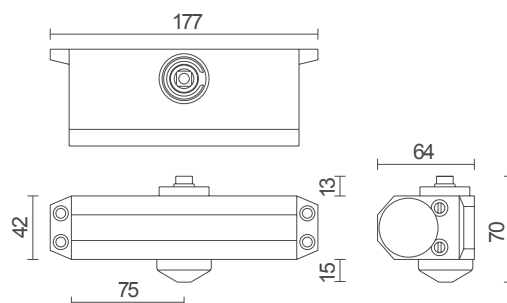
- **Power Size:** 3 (suitable for use on doors up to 60Kg or 950mm Door Width)
- **Finish:** Silver
- **Features:** Adjustable closing and latching speed.
- **Fire Rating:** UL Fire Rated
- **Independent Certification:** U.L. Listed.
- **Covers available in:** P.B., SNP, PCP, Silver



model no / **CDC670**



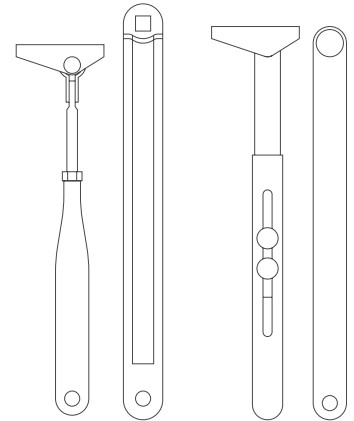
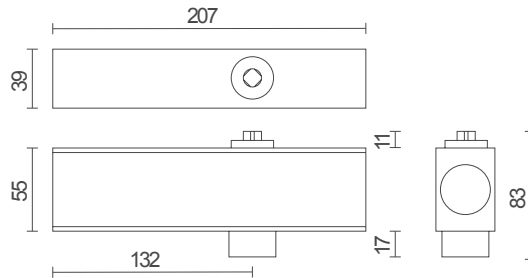
- **Power Size:** 2-4 (suitable for use on doors 40-80 Kg or 850mm-1100mm Door Width)
- **Finish:** Silver
- **Features:** Adjustable power (by template), closing and latching speed.
- **Fire Rating:** UL Fire Rated and tested to EN1634-1
- **Independent Certification:** U.L. Listed & EN Fire Tested.
- **Covers Available:** SSS To order
- **Optional Extras:** Hold open arm, Adjustable Backcheck.



model no / **CDC700**



- **Power Size:** 2-4 (suitable for use on doors 40-80 Kg or 850mm-1100mm Door Width)
- **Finish:** Silver
- **Features:** Adjustable power, closing and latching speed.
- **Fire Rating:** EN1634-1. To FD60.
- **Independent Certification:** Tested to EN1154
- **Covers Available:** SSS, PSS (Arms also available in SNP& PCP)
- **Optional Extras:** Hold open arm, Adjustable Backcheck, Delayed Action.



model no / **CDC750**

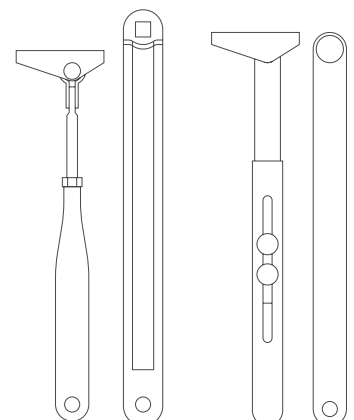
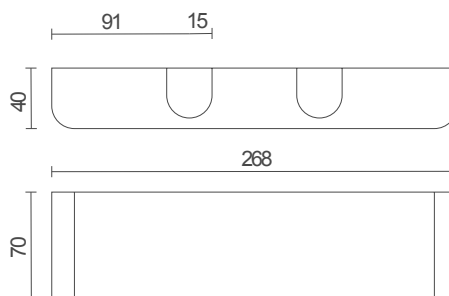
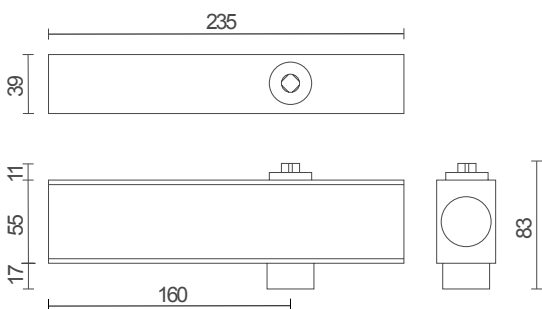


with Cover

with Cover & Extendable Arm



- **Power Size:** 2-5 (suitable for use on doors 40-110 Kg or 850mm-1250mm Door Width)
- **Finish:** Silver
- **Features:** Adjustable power, closing and latching speed.
- **Fire Rating:** EN1634-1. To FD60.
- **Independent Certification:** Tested to EN1154
- **Covers Available:** SSS, PSS (Arms also available in SNP & PCP)
- **Optional Extras:** Hold open arm, Adjustable Backcheck, Delayed Action, Slide Arm



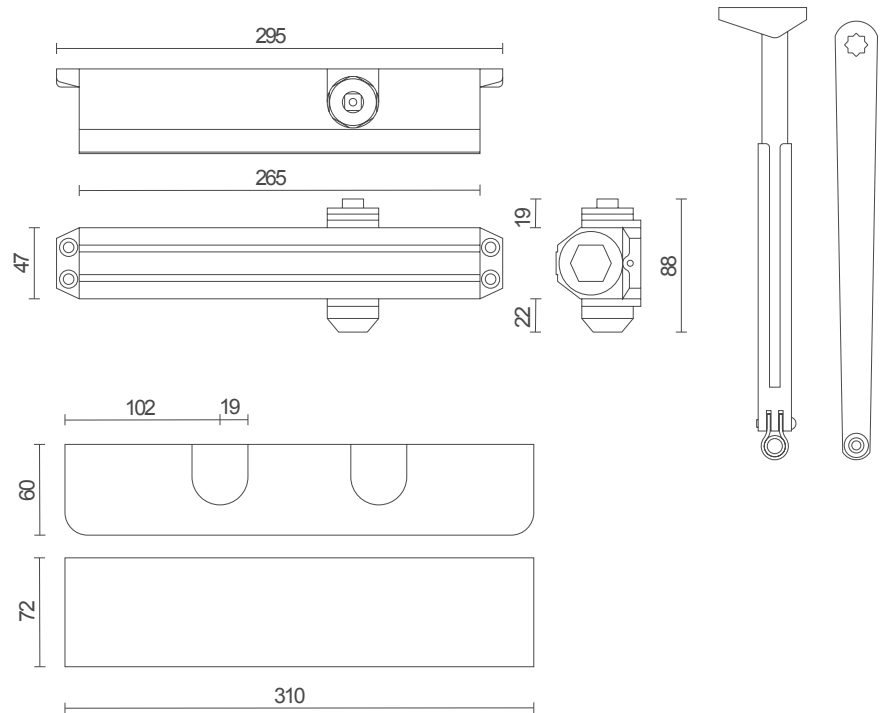
section / Door Controls / Overhead Door Closers

model no / **CDC903**



with Cover

- **Power Size:** 2-6 (suitable for use on doors 60-150 Kg or 950mm-1400mm Door Width)
- **Finish:** Silver
- **Features:** Adjustable power, backcheck, closing and latching speed.
- **Fire Rating:** UL Fire Rated
- **Independent Certification:** Tested to EN1154
- **Covers Available:** SNP, PCP (Arms also available in SNP & PCP)
- **Optional Extras:** Hold open arm, Delayed Action.



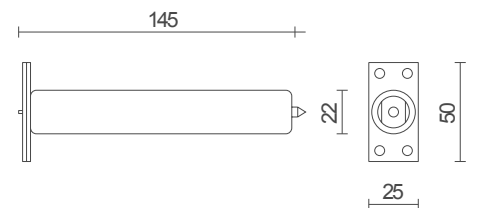
section / Door Controls / Concealed Door Closers

model no / **CDC 690**

Concealed Jamb Closer

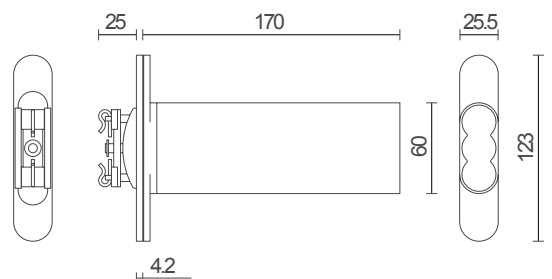


- **Power Size:** Suitable for use on doors up to 51 Kg.
- **Finishes:** N.P., P.B., CP.
- **Available:** Radius Corner
- **Fire Rating:** Tested to EN1634



model no / **CDC 691**

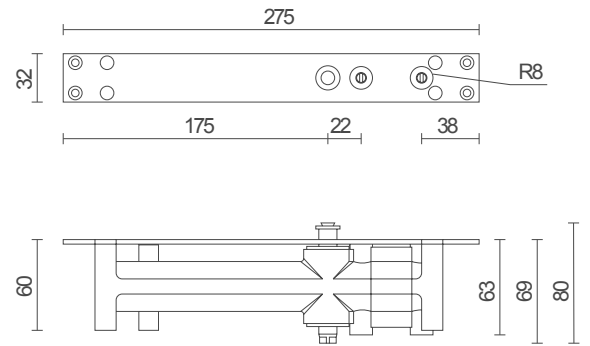
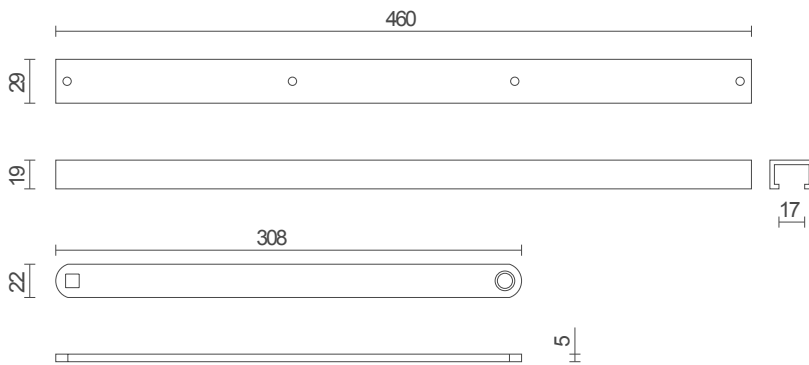
- **Power Size:** 2-4 (suitable for use on doors 40-80 Kg or 850mm-940mm Door Width)
- **Finish:** P.B., SCP
- **Features:** Adjustable closing & latching Speed
- **Fire Rating:** Tested to EN1634-1



model no / **CDCC1**



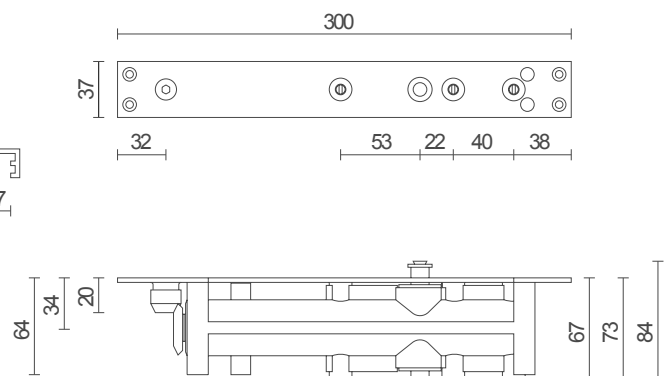
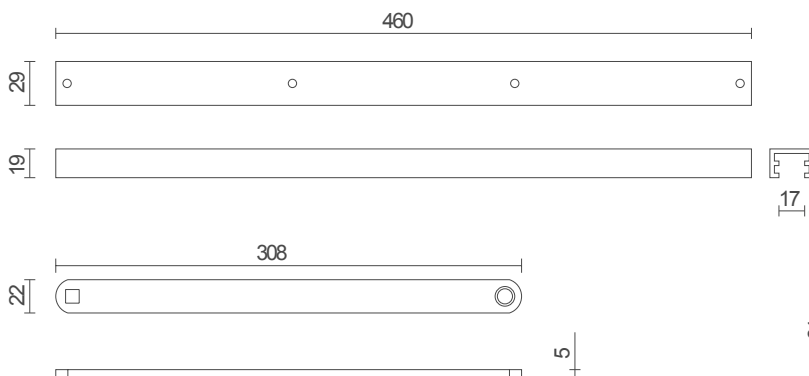
- **Power Size:** 1-3 To EN 1154
 (suitable for use on doors up to 60Kg or 950mm Door Width)
- **Finish:** Silver
- **Features:** Adjustable closing & latching speed, Hold open.
- **Fire Rating:** Tested To EN1634-1
- **Minimum Door Thickness:** 44mm



model no / **CDCC2**



- **Power Size:** 2-4 To EN 1154
 (suitable for use on doors 40-80Kg or 850mm-1100mm Door Width)
- **Finish:** Silver
- **Features:** Adjustable power and closing & latching speed, Hold open.
- **Fire Rating:** Tested To EN1634-1. FD60
- **Optional Extras:** Adjustable Backcheck
- **Minimum Door Thickness:** 50mm

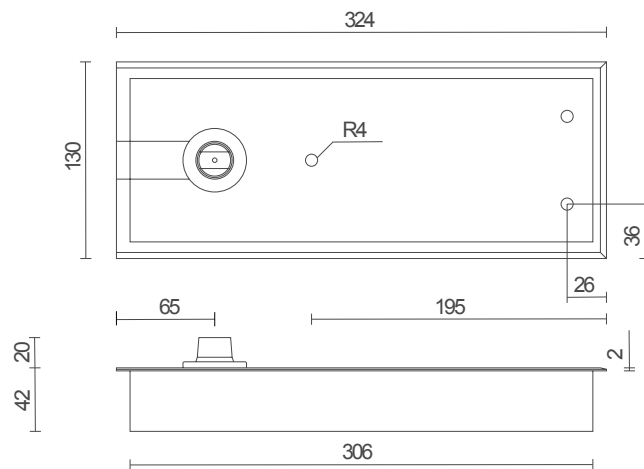


model no / **CFS543**

***All models available single action and double action**



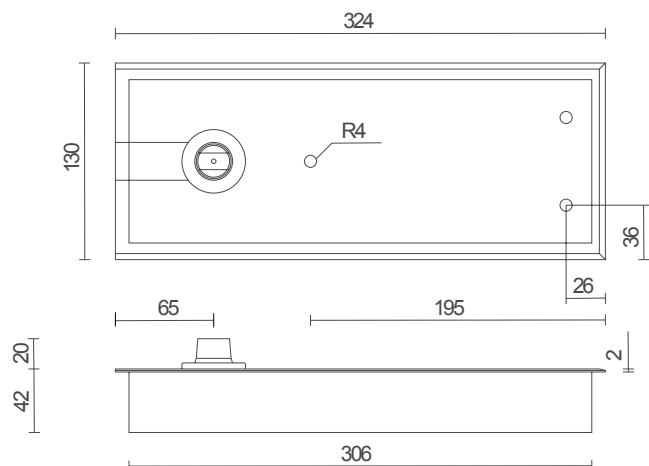
- **Power Size:** 3 (Suitable for use on doors 105Kg or 950mm Door Width)
- **Finish:** SSS
- **Features:** Adjustable closing & latching speed
- **Fire Rating:** U.L. Fire Rated, EN Tested
- **Independent Certification:** U.L. Listed
- **Optional Extras:** 90 & 105 Degree Hold Open & Adjustable Backcheck.



model no / **CFS544**



- **Power Size:** 4 (Suitable for use on doors 150Kg or 1100mm Door Width)
- **Finish:** SSS
- **Features:** Adjustable closing & latching speed
- **Fire Rating:** U.L. Fire Rated, EN Tested
- **Independent Certification:** U.L. Listed
- **Optional Extras:** 90 & 105 Degree Hold Open & Adjustable Backcheck.



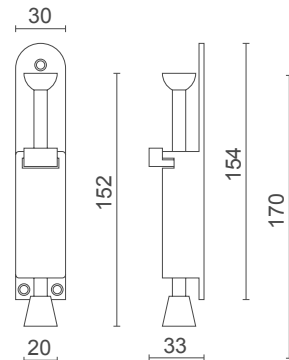
section / Door Controls / Door Holders

model no / **CDH 20**

Foot Operated Door Holder



- **Finishes:** PCP: Polished Chrome Plate
 SCP: Satin Chrome Plate

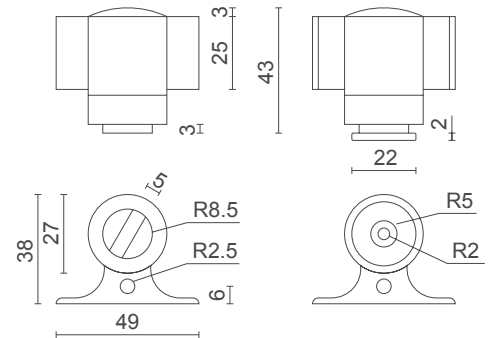


model no / **CMH 20**

Magnetic Door Holder



- **Finishes:** PCP: Polished Chrome Plate
 SCP: Satin Chrome Plate



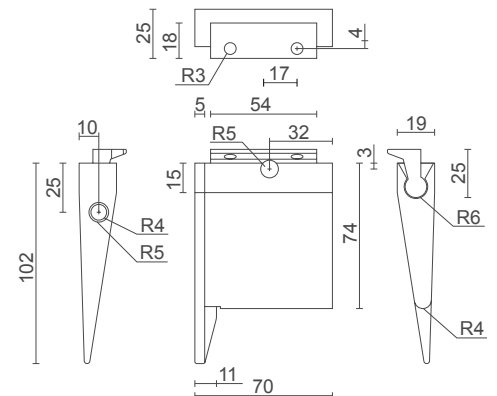
section / Door Controls / Door Selectors

model no / **CDSE 1**

Door Selector



- **Finishes:** PCP: Polished Chrome Plate
 SCP: Satin Chrome Plate
 SSS: Satin Stainless Steel
 PB: Polished Brass
 Silver

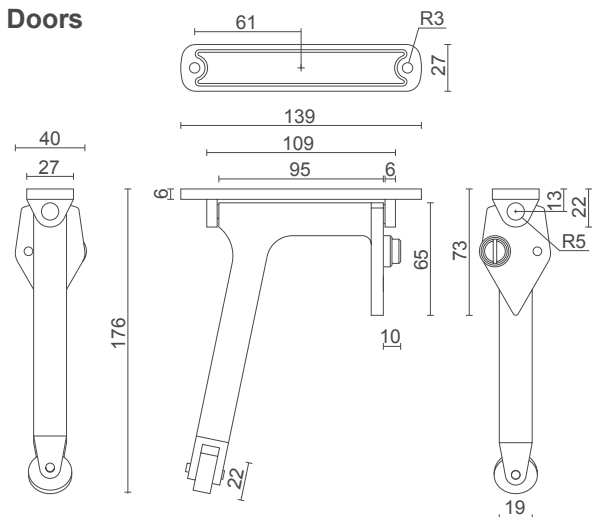


model no / **CDSE 2**

Gravity Door Selector for Hollow Metal Doors



- **Finishes:** PCP: Polished Chrome Plate
 SCP: Satin Chrome Plate

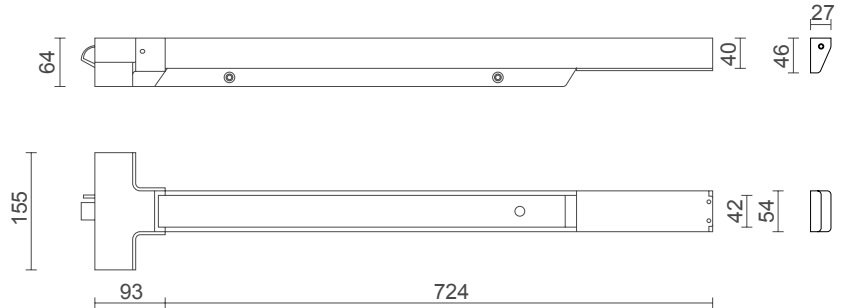


model no / **CPH 6080F**

Touch Bar Panic Latch



- **Independent Certification:** U.L. Listed
- **Fire Rating:** U.L. Fire Rating Up to 3 hours
- **Finishes:** SSS: Satin Stainless Steel
Silver

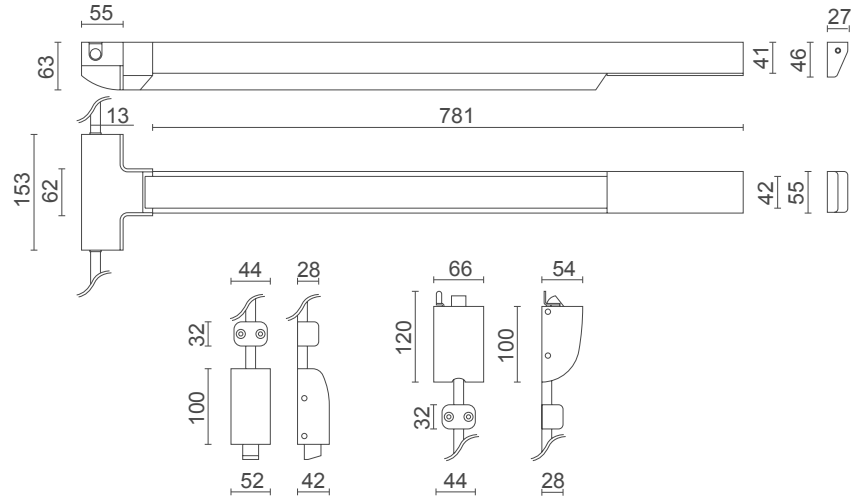


model no / **CPH 6080FV**

Touch Bar Panic Bolt

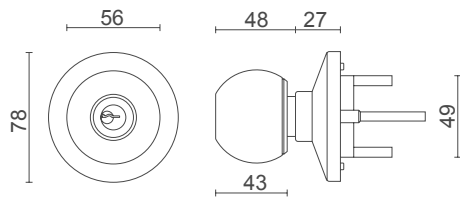


- **Optional:** Plate for double doors
- **Independent Certification:** U.L. Listed
- **Fire Rating:** U.L. Fire Rating Up to 3 hours
- Finishes:** SSS: Satin Stainless Steel
Silver

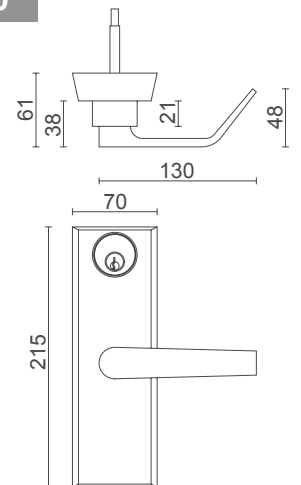


model no / **CP 648**

External Knob trim

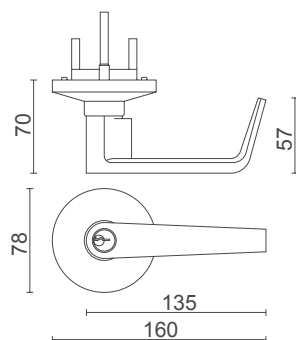


model no / **CP 650**



model no / **CP 649**

External Lever trim



- **Features:** Can be master keyed alongside euro profile cylinder suites
- **Independent Certification:** U.L. Listed
- **Fire Rating:** U.L. Fire Rating Up to 3 hours
- **Finishes:** SCP: Satin Chrome Plate
- **Spindle** to suit 54mm thick door

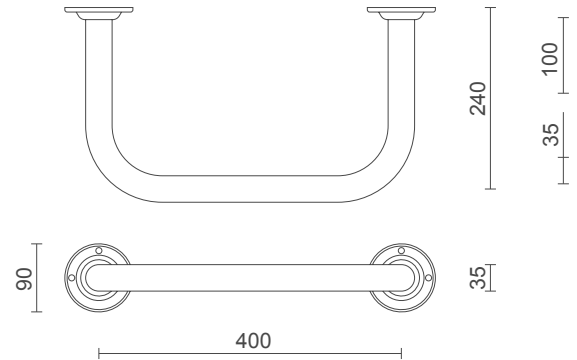
section / Disabled Bathroom & Shower Accessories

model no / **CHSN 1**

Back Rest



- **Other colours on request**
- **Finishes:** SSS: Satin Stainless Steel
 PSS: Polished Stainless Steel
 PCW: Powder Coated White



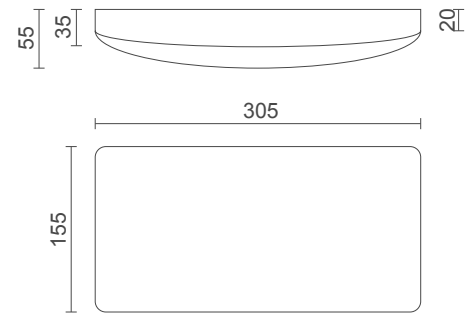
L 400 x 35 x 240

model no / **CHSN 2**

Backrest With Cushion



- **Measurement:** 400x35x240mm
- **Finishes:** PCW: Powder Coated White
 SSS: Satin Stainless Steel
 PSS: Polished Stainless Steel

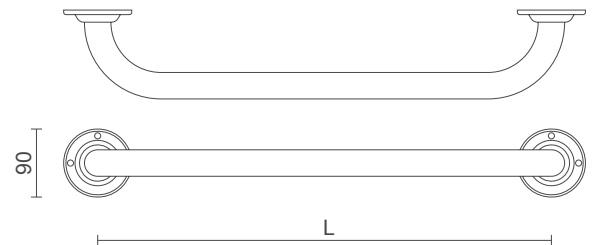


model no / **CHSN 3**

Grab Bars



- **Other colours on request**
- **Finishes:** SSS: Satin Stainless Steel
 PSS: Polished Stainless Steel
 PCW: Powder Coated White



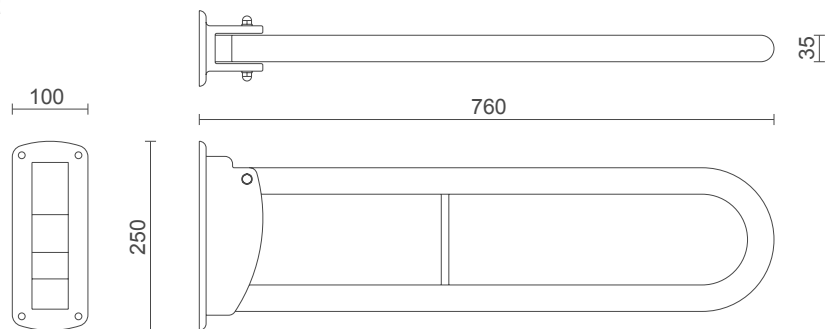
L 300 x 35 x 100
 L 450 x 35 x 100
 L 600 x 35 x 100

model no / **CHSN 15**

Hinged Arm Support



L 760x 35 x 250



- **Other colours on request**
- **Finishes:** SSS: Satin Stainless Steel
 PSS: Polished Stainless Steel
 PCW: Powder Coated White

